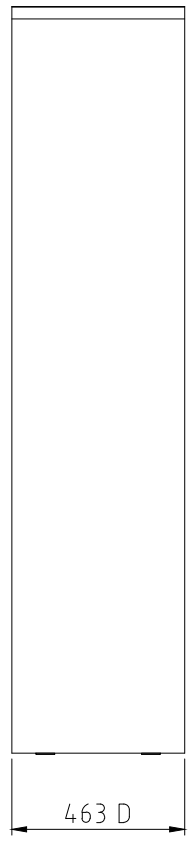
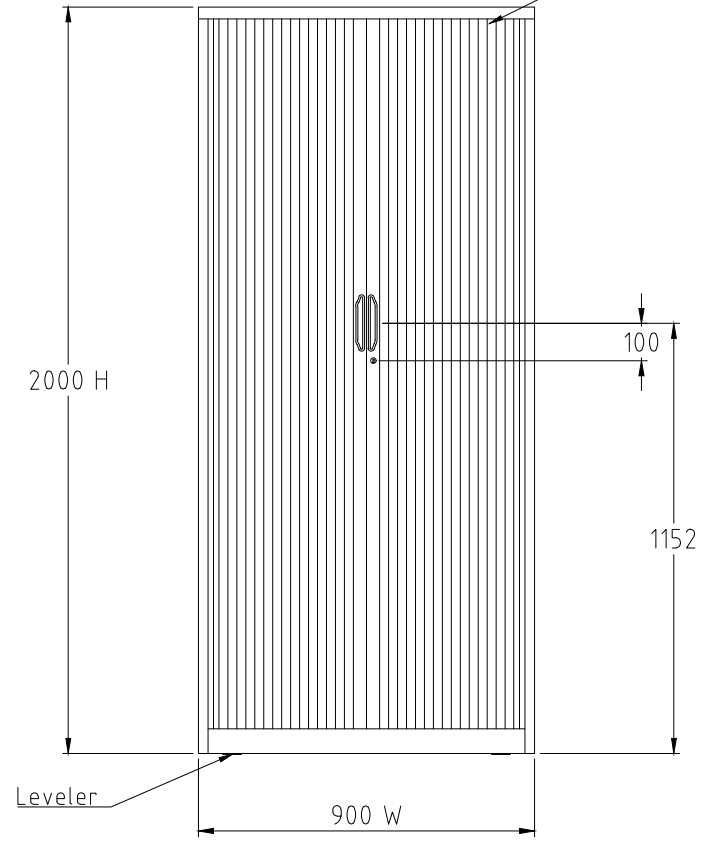


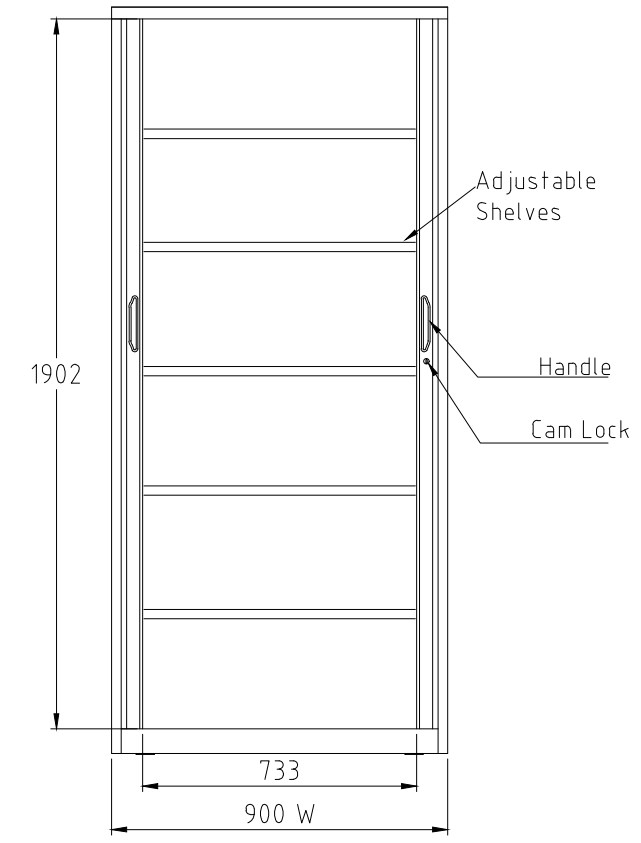
Side View



Front View



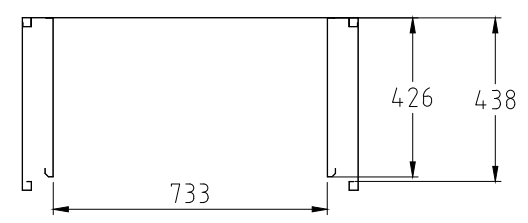
Front View Shown with Doors open for illustration



Top View



Top Cut Section View



All Dimensions are in mm

Title :Schematic Drawing of TDM FO 2000H x 900W x 463D with ABS Slat			
Customer : -			Scale: Nts
Project :			
Date:24/08/20	Enq.No : -	Drg.No:EXP2287R1	Sht. 01 of 01
& BOYCE MFG. CO. LTD., MEPZ-SEZ, Chennai-600045			Rev. No : 01