



RAECO

SHELVING AND DISPLAY SYSTEMS
2023

60 YEARS | AUSTRALIAN MADE | EXTENDED WARRANTIES

INDEX

	PAGE
DESIGNER SERIES	3
LINEA	21
BAY END PANEL	30
LINEA SHELVES	31
WEDGES AND BOXES	42
EXPRESSIONS	43
CUSTOMISED SHELVING	55
OFF SITE DISPLAY	57
CHILDREN	61
DISPLAY AND ACCESSORIES	75
FUNCTIONAL AND PRACTICAL	103
SIGNAGE	117
FINISHES	127

WELCOME



Our 60th birthday inspired us to look closely at all elements of our organisation. We're committed to upholding what we do well and equally committed to exploring how we can improve.

You, our loyal customers are without doubt our greatest asset, so we want to express our gratitude for your support.

We hope you see value in our commitment to manufacturing our shelving in Australia - arguably making Raeco the only truly 'local' supplier no matter which state or territory you are based in.

Our commitment to manufacturing in Australia also guarantees a level of quality that allows us to offer a lifetime warranty on our steel shelving, another promise we are proud to stand by.

We have rationalised our furniture to focus on quality, sustainability and where possible, Australian made product, allowing us to offer a minimum 10 year warranty.

As a result of a review of our communication and customer service, we have implemented a 'one call resolution' policy. New internal systems are designed to ensure your questions and feedback are actioned swiftly and that you are kept up to date on progress. We are highly committed to ensuring the success of this and Senior Management welcome your feedback if ever you feel our efforts fall short of your expectations.

Again, thank you for your support. We hope you enjoy browsing our new range of products and we look forward to working with you.

Warm regards,

Chhaya Patel (General Manager) & Trevor McCann (Sales Director)

leadership@raeco.com.au



DESIGNER SERIES | CREATED BY KEVIN HENNAH

Library Consultant Kevin Hennah is known for challenging traditional ideas and driving innovation in library design and fit out. Drawing on his experience, Raeco has invited Kevin to create a range of accent and display units. Fusing Kevin's ideas with Raeco's reliable quality, we are excited to present our new Designer Series, which we envisage used as attention grabbing hero stands in prominent locations.



Providing guidance on library design and self-managed makeovers, Kevin Hennah has carried out approximately 2,000 onsite consultations at libraries internationally. As an extension of his work, he has developed a suite of workshops and presentations exploring innovation in library design, layout, furniture and signage. He has delivered these throughout Australia, New Zealand, Asia, Europe, The United Arab Emirates, The USA and Canada. Kevin has a wealth of ideas to share and is passionate about keeping libraries relevant.

Find out more at www.kevinhennah.com.au

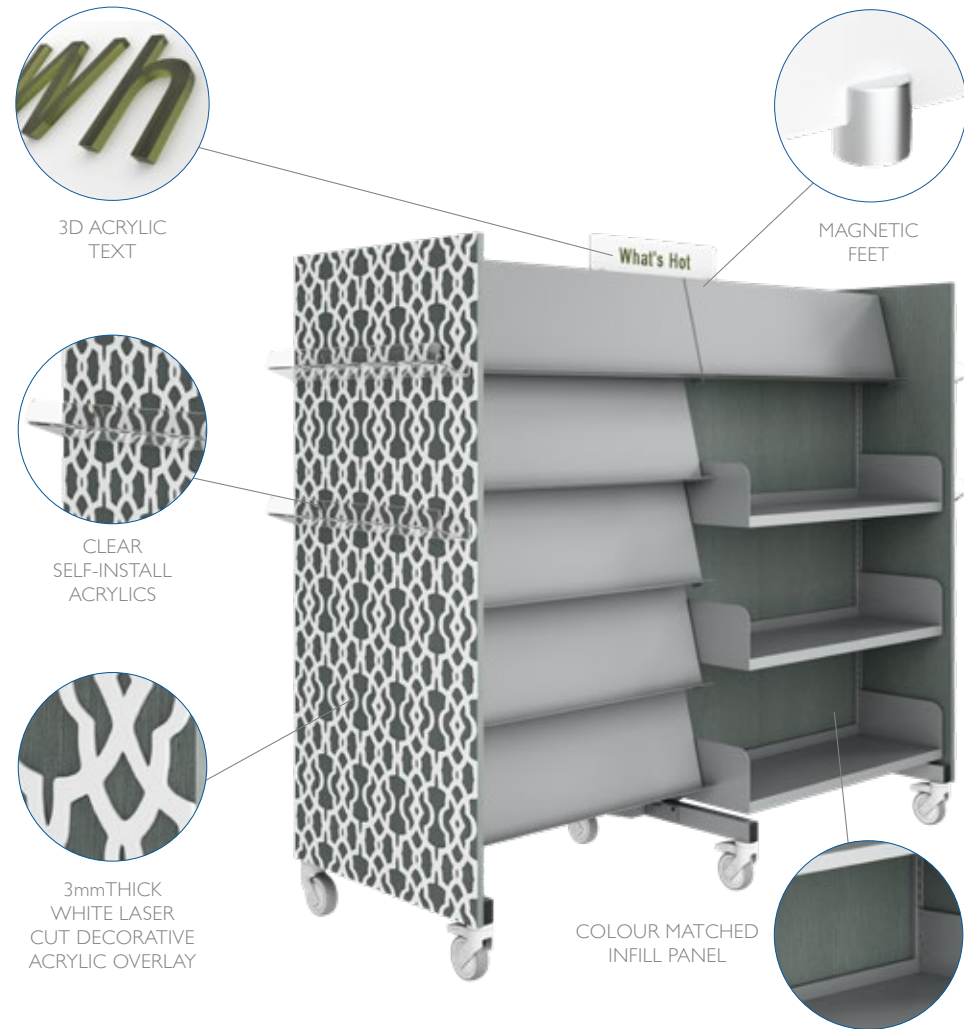
DESIGNER SERIES | MOROCCO



Sophisticated in both style and fabrication, Morocco features 3mm thick laser cut white lattice that is overlaid on New Graphite laminate.

Clear acrylics ensure the focus remains on books and the decorative backdrop.

These stunning bay ends are teamed with Metallic Silver shelves and completed with white signage and 3D olive lettering.



EACH UNIT INCLUDES:

- SHELVES** Metallic Silver powder coat
12 x display shelves
3 Fiction flat shelves (Side A)
3 Nonfiction flat shelves (Side B)

- BAY END PANELS** 25mm thick New Graphite laminate board to both ends with matching 2mm ABS edging.
3mm thick laser cut white acrylic overlay (pre-applied).

- INFILL PANELS** 18mm thick New Graphite laminate board.

- WHEELS** White German engineered 100mmDIA lockable wheels rated to a combined load rating of 600kg.

- ACRYLICS** Each unit is supplied with 4 clear self-install acrylic shelves that attach to bay end panels (2 per panel).

- SIGNAGE** Two matt white acrylic plates (What's Hot & New Books). Featuring 3D letters laser cut from clear acrylic and overlaid with rich olive vinyl to enhance the 3D effect. Supplied with silver brushed metal magnetic feet.

- COMPLETE KIT** 2-bay, double sided unit as pictured/same layout on reverse side. 1500mmH on 125mm wheels.

CODE: DS003



3mm THICK
WHITE LASER
CUT DECORATIVE
ACRYLIC OVERLAY

DESIGNER SERIES | POP ART!



Bold and confident, this edgy unit demands attention. Bright shelves provide the ideal backdrop for colourful art and design titles, though application is certainly much broader.

Matching yellow slats on the bay end panels combine with stylish yellow text on the signage to create a cohesive finish.



EACH UNIT INCLUDES:

- SHELVES** Dulux Golden Yellow powder coat
12 x display shelves
3 Fiction flat shelves (Side A)
3 Nonfiction flat shelves (Side B)

- BAY END PANELS** 25mm thick Black laminate board with 4 slats to both ends with matching 2mm ABS edging.

- INFILL PANELS** 18mm thick Black laminate board.

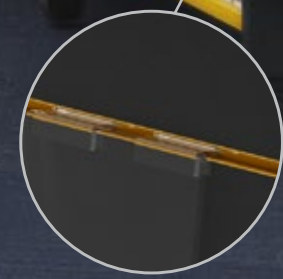
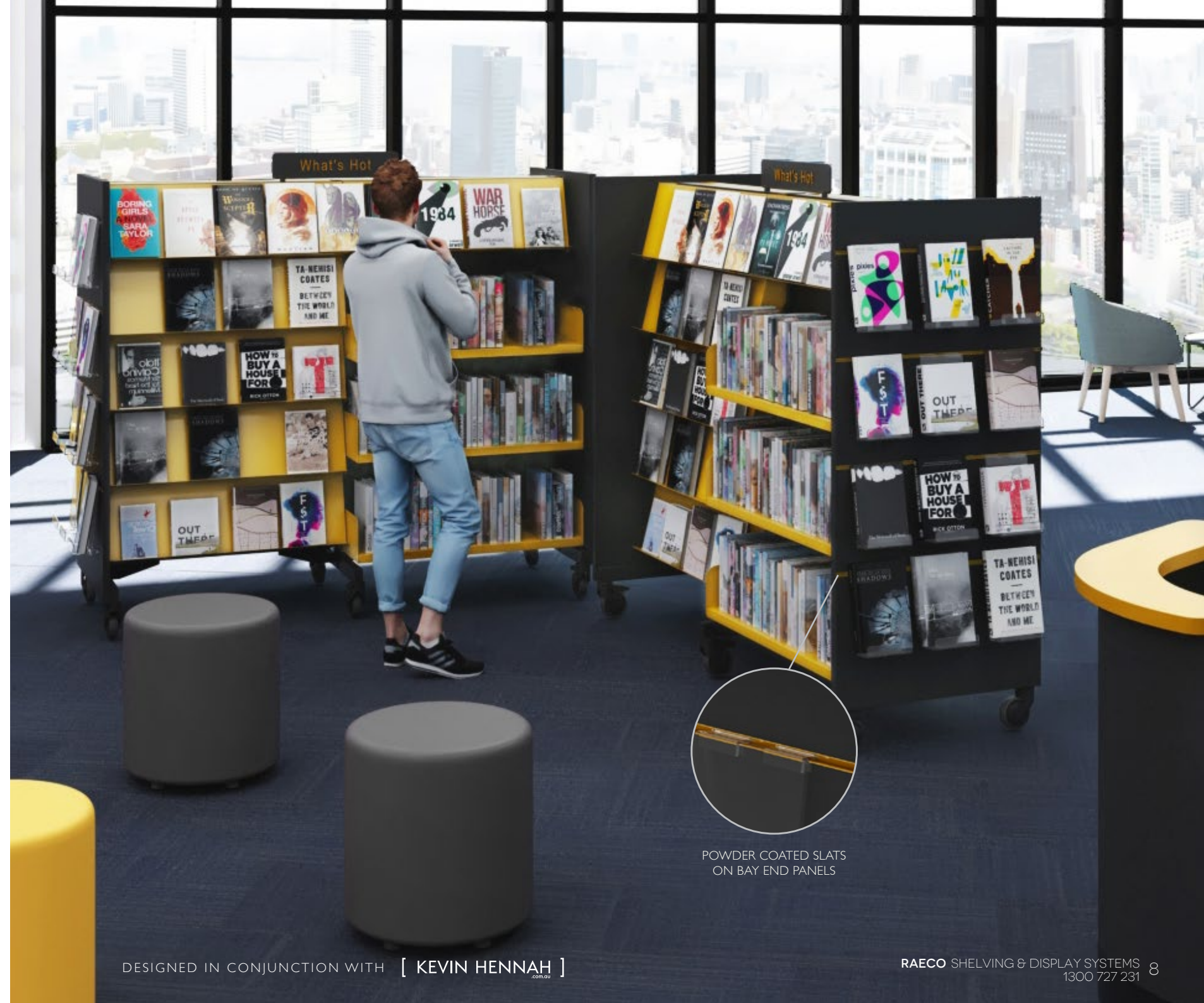
- WHEELS** Black German engineered 100mmDIA lockable wheels rated to a combined load rating of 600kg.

- ACRYLICS** Supplied complete with 12 Merchandising Libraries Nonfiction Slatwall book holders and 12 Fiction book holders.

- SIGNAGE** Two matt black acrylic plates (What's Hot & New Books). Featuring 3D letters laser cut from clear acrylic and overlaid with yellow vinyl to enhance the 3D effect. Supplied with black metal magnetic feet.

- COMPLETE KIT** 2-bay, double sided unit as pictured/same layout on reverse side. 1500mmH on 125mm wheels.

CODE: DS002



POWDER COATED SLATS ON BAY END PANELS

DESIGNER SERIES | VINTAGE



With echoes of reclaimed provincial furniture, achieving the Vintage effect took much commitment. With absolutely no compromise to integrity of the finish, we've achieved an effect that will look equally impressive in a heritage listed space as it does juxtaposed against a modern build. Use this across your entire library or highlight a special collection such as Local History, Literature & Poetry or anything that calls for a sense of charm and sophistication.



EACH UNIT INCLUDES:

- SHELVES** Unique antique finish
12 x display shelves
3 Fiction flat shelves (Side A)
3 Nonfiction flat shelves (Side B)

- BAY END PANELS** 25mm thick Black laminate board to both ends.

- INFILL PANELS** 18mm thick Black laminate board.

- WHEELS** Black German engineered 100mmDIA lockable wheels rated to a combined load rating of 600kg.

- ACRYLICS** Each unit is supplied with 8 Matt Black self-install acrylic shelves that attach to bay end panels (4 per panel).

- SIGNAGE** Two matt black acrylic plates (What's Hot & New Books). Featuring 3D metallic gold lettering. Supplied with black metal magnetic feet.

- COMPLETE KIT** 2-bay, double sided unit as pictured/same layout on reverse side. 1500mmH on 125mm wheels.

CODE: DS004



DESIGNER SERIES | ORGANIC



Bright white shelving is teamed with textured 25mm thick blonde timber laminate bay end panels that are enhanced with PLY look edging to create a crisp, clean finish.

With the increasing popularity of indoor plants, the vision was of shelving that could be teamed with stylish fabrics and green life to create a relaxing oasis of books.



EACH UNIT INCLUDES:

- SHELVES** Dulux Pearl White powder coat
12 x display shelves
3 Fiction flat shelves (Side A)
3 Nonfiction flat shelves (Side B)

- BAY END PANELS** 25mm thick Alaskan laminate board teamed with 2mm PLY look ABS edging.

- INFILL PANELS** 18mm thick Alaskan laminate board.

- WHEELS** White German engineered 100mmDIA lockable wheels rated to a combined load rating of 600kg.

- ACRYLICS** Each unit is supplied with 8 matt white self-install acrylic shelves that attach to bay end panels (4 per panel).

- SIGNAGE** Two matt white acrylic plates (What's Hot & New Books). Featuring 3D letters laser cut from clear acrylic and overlaid with rich olive vinyl to enhance the 3D effect. Supplied with silver brushed metal magnetic feet.

- COMPLETE KIT** 2-bay, double sided unit as pictured/same layout on reverse side. 1500mmH on 125mm wheels.

CODE: DS001



DESIGNER SERIES | CACAO



Countless timbers were reviewed to trial the result of combining chocolate timber laminate with matt black shelving. We hope you agree that the marriage is perfect!

Slightly retro and very sophisticated, we envisage this design teamed with classic Scandinavian style furniture to create a timeless effect. Matching black slats on the bay end panels combine with antique gold 3D lettering on the signs to complete the stylish unit that would work equally as well for a special collection as it would across the entire library.



EACH UNIT INCLUDES:

- SHELVES** Dulux Black Matt powder coat.
12 x display shelves |
3 Fiction flat shelves (Side A)
3 Nonfiction flat shelves (Side B)

- BAY END PANELS** 25mm thick Aged Walnut laminate board to both ends with 2mm matching ABS edging.

- INFILL PANELS** 18mm thick Aged Walnut laminate board.

- WHEELS** Black German engineered 100mmDIA lockable wheels rated to a combined load rating of 600kg.

- ACRYLICS** Supplied complete with 12 Merchandising Libraries Nonfiction Slatwall book holders and 12 Fiction book holders.

- SIGNAGE** Two matt black acrylic plates (What's Hot & New Books). Featuring 3D letters laser cut from clear acrylic and overlaid with antique metallic gold vinyl to enhance the 3D effect. Supplied with black metal magnetic feet.

- COMPLETE KIT** 2-bay, double sided unit as pictured/same layout on reverse side. 1500mmH on 125mm wheels.

CODE: DS005



DESIGNER SERIES | IMPULSE DISPLAY UNITS



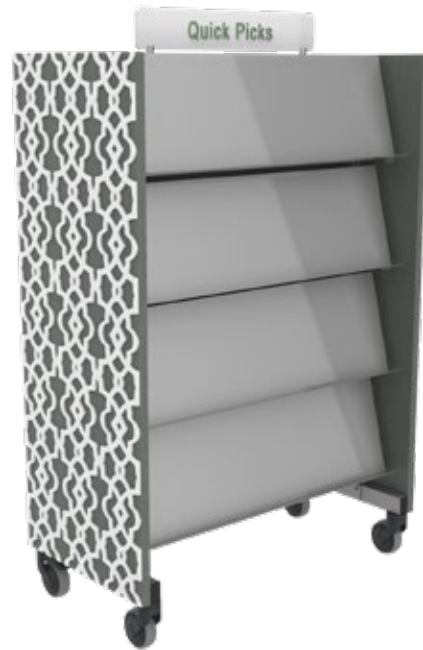
These eye catching, double-sided Impulse Display Units are an extension of the Designer Series created by Library Consultant [Kevin Hennah](#) for Raeco.

Inclusive of wheels, they stand at a modest 1320mm high, are only 505mm deep and 900mm wide, making them perfect for an entry point or as an impulse unit in high traffic areas.

Featuring front facing shelves on both sides, a range of special paint finishes and stylish signage, they make creating and maintaining professional displays a simple task.



POP ART
900 W x 1320 H x 505 D
SKU: DS006



MOROCCO
900 W x 1320 H x 505 D
SKU: DS007



VINTAGE
900 W x 1320 H x 505 D
SKU: DS008



DESIGNED IN CONJUNCTION WITH [KEVIN HENNAH]

DESIGNER SERIES | FICTION IMPULSE STANDS



Create high impact, low maintenance displays of popular Fiction with these stylish impulse stands. Available as a single-sided unit for positioning against a wall or double sided on wheels. Each compartment accommodates approximately 4-5 books (based on average adult Fiction titles). Fabricated from laminate board with metal insert shelves and supplied with Quick Pick acrylic sign, featuring 3D lettering.



IMPDS-BLK

Double sided on lockable wheels.
32 compartments.

Black Laminate.

Dimensions:
905 L x 615 D x 1400 H



IMPDS-ALK

Double sided on lockable wheels.
32 compartments.

Alaskan Laminate.

Dimensions:
905 L x 615 D x 1400 H



IMPSS-BLK

Single sided wall based.
20 compartments.

Black Laminate.

Dimensions:
905 L x 560 D x 1625 H



IMPSS-ALK

Single sided wall based.
20 compartments.

Alaskan Laminate.

Dimensions:
905 L x 560 D x 1625 H



DESIGNER SERIES | NEW BOOKS STANDS



Suitable for both Fiction and Nonfiction, these double sided stands are intended to be used independently or in sets in high traffic areas. Fabricated from laminated board with quality acrylic shelves and New Books sign featuring 3D lettering.



NEWBS-WHI

White 200 Laminate with
White Self-Install Acrylic Shelves with White screws
White sign with Silver feet and Black text

Dimensions:
900 L x 450 D x 1620 H

NEWBS-BLK

Black Laminate with
Black Self-Install Acrylic Shelves with Black screws
Black sign with Black feet and White text

Dimensions:
900 L x 450 D x 1620 H

NEWBS-ALK

Alaskan Laminate with
Clear Self Install Acrylic Shelves with Zinc screws
White sign with Silver feet and Black text

Dimensions:
900 L x 450 D x 1620 H



LINEA

A fully flexible steel shelving solution with Australia's widest range of components that allows you to customise configurations.



All Raeco shelving is 100% recyclable & GECA Certified



Extensive range of bay end panels and accessories



Ample joiner mounting surfaces for signage

Australia's widest range of shelving, accessories and powder coat options

Mobile & static options available

Superior load distribution rating (UDL) from 45kg

LINEA SHELVING

RECOMMENDED SHELF SPACING

FICTION	NONFICTION	AV (DVDS)
200mm minimum - Small	250mm minimum - Small	230mm
250mm minimum - Large	300mm minimum - Large	

SHELF DEPTH

FICTION	NONFICTION	AV (DVDS)	DEEP SHELF
200mm	250mm	200mm	300mm



Wheels add an additional 125mm to the overall unit height.
Maximum mobile post 1600mm H.

Our guides are based on recommended configurations with evenly spaced flat shelves and one display shelf on top. Spaces shown indicate clearance in configuration. Measurements shown indicate minimal spacing.



900MM H
1 FLAT SHELF AND
1 DISPLAY



1000MM H
2 FLAT SHELVES AND
1 DISPLAY



2 FLAT SHELVES AND
1 DISPLAY



3 FLAT SHELVES

Popular choice for junior schools and children's spaces.



3 FLAT SHELVES AND
1 DISPLAY

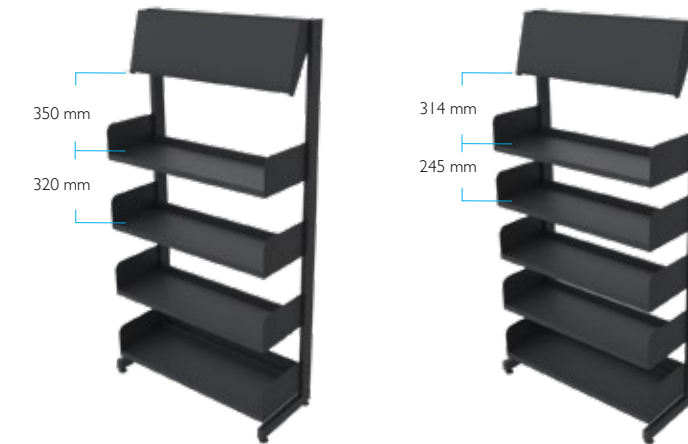
4 FLAT SHELVES AND
1 DISPLAY

Favoured by public libraries, secondary schools and junior schools with space constraints.



3 FLAT SHELVES AND
1 DISPLAY

4 FLAT SHELVES AND
1 DISPLAY



4 FLAT SHELVES AND
1 DISPLAY

5 FLAT SHELVES AND
1 DISPLAY

ADDITIONAL HEIGHTS

UNIT HEIGHT	SHELVES	DISPLAY SHELF SPACING	FLAT SHELF SPACING
1400MM	4	314	320
2000MM	4	414MM	370MM
	5	314MM	295MM
2100MM	4	439MM	395MM
	5	314MM	350MM
2300MM	4	489MM	475MM
	5	314MM	370MM

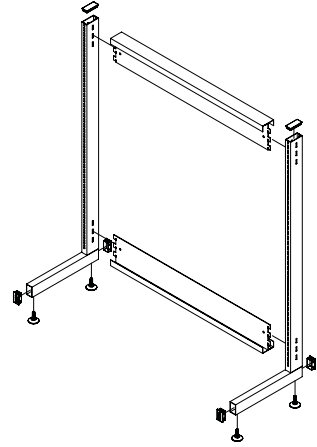
LINEA | STATIC



SINGLE SIDED STATIC

Ideal solution along walls. A **385mm** deep footprint provides a stable surface area which can be leveled on uneven surfaces via adjustable glides.

For stability and safety reasons, single sided shelving is available in static only.

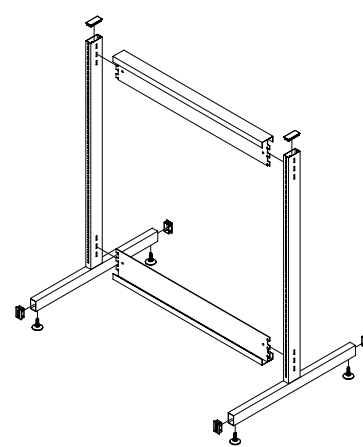


DOUBLE SIDED STATIC

715mm deep footprint. Suitable where reconfiguration is not a frequent occurrence.

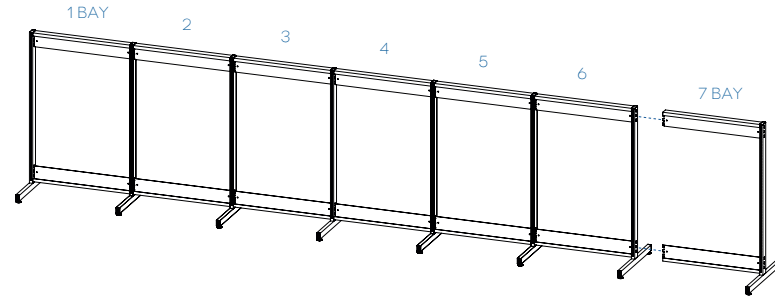
RETROFITTING WHEELS

New upright mobile posts and bottom joiners are required if you wish to transform existing static shelving to mobile units.

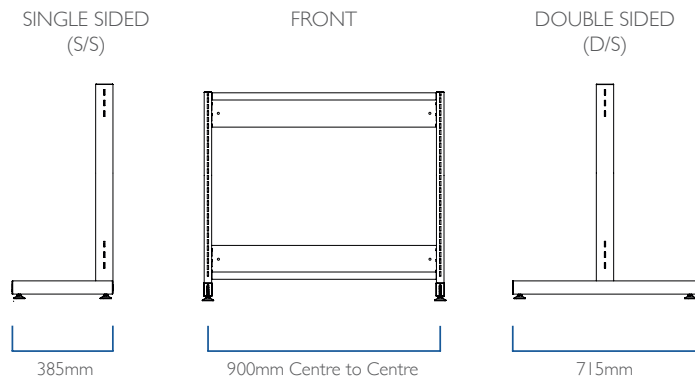


UP TO 7 BAY MAXIMUM FOR

For stability and to reduce natural 'creep' or misalignment along the length of the run, a small break is required after 7 bays.



STATIC DIMENSIONS



LINEA | MOBILE

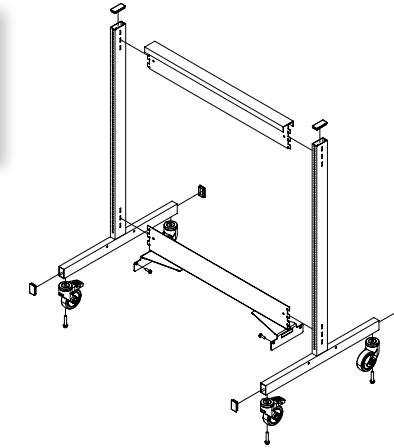


DOUBLE SIDED MOBILE

Raeco shelving is engineered to withstand the lateral forces applied during relocation and does not require unattractive cross bracing.

2 X BAY MAXIMUM

For ease of relocation and structural integrity, mobile units are limited to 2 bays/double sided.



MOBILE TOW HANDLE

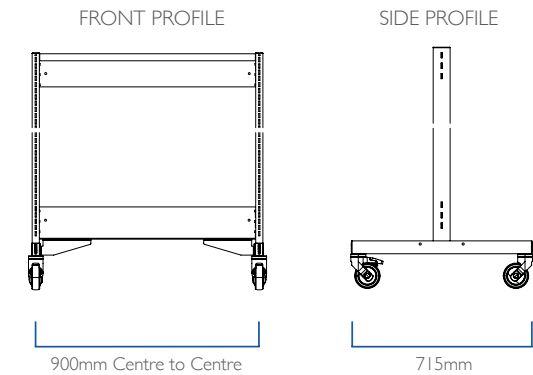
Manoeuvre your collection with ease using the lightweight tow handle. Safe to use with bay end panels.



MOBILE DIMENSIONS

MAXIMUM OVERALL MOBILE HEIGHT (1725MMH)

For stability and safety, mobile shelving is only available in heights up to 1600mmH (plus wheels).



WHEEL HEIGHT

+125mm Height

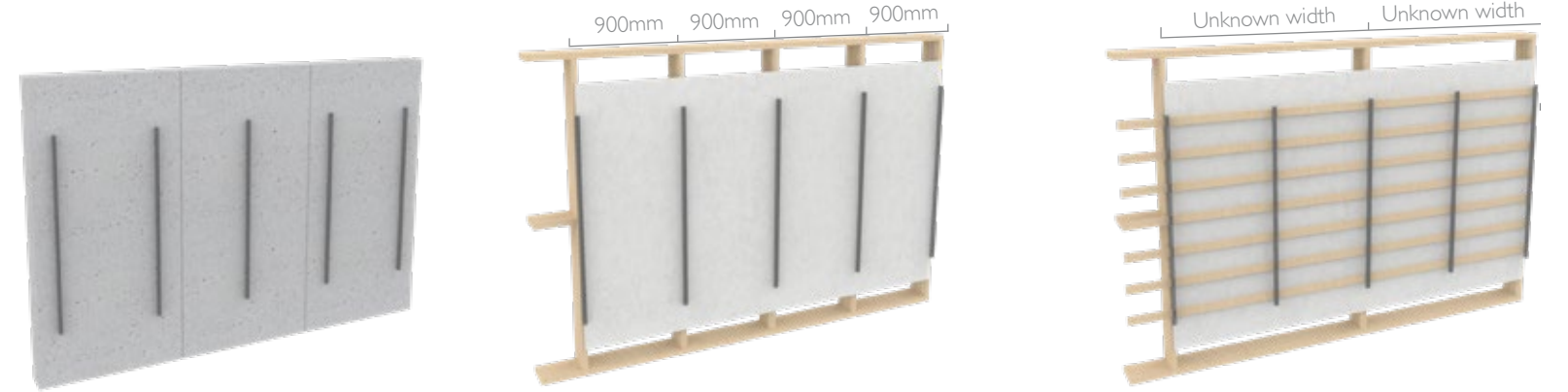
Wheels add an additional 125mm to the overall unit height.





FLOATING LINEA

Floating shelving is ideally mounted to masonry or brick veneer walls. Stabilisation solutions are also available for plasterboard.



CONCRETE & BRICK

Linea Floating shelf support frame can be mounted direct to brick and masonry substrates.

900MM STUD SPACING

For plaster walls, where stud spaces are known to be 900mm apart, Linea Floating shelf support frame can be securely mounted to studs.

UNKNOWN STUD SPACING

If stud spacing is not 900mm, batons can be attached to plaster walls. Linea Floating shelf support frames are then attached to batons.

Floating Linea system bay end panels and dust covers are not interchangeable with standard Linea shelves.



BAY END PANEL | STYLES

Bay end panels instantly enhance both new and old shelving. Using this space to display front faced books will add visual interest and significantly boost loan potential.

SLATWALL BAY END PANEL
DOUBLE SIDED



BAY END PANEL WITH SELF INSTALL
ACRYLIC SHELVES (PG.79)



PLAIN BAY END DOUBLE
SIDED PANELS



PLAIN BAY END SINGLE
SIDED PANELS



LINEA | REVERSIBLE SHELF



TWO SHELVES IN ONE

Each reversible shelf kit includes a set of 2-way brackets that allow the shelf to be used either flat or as a display shelf.

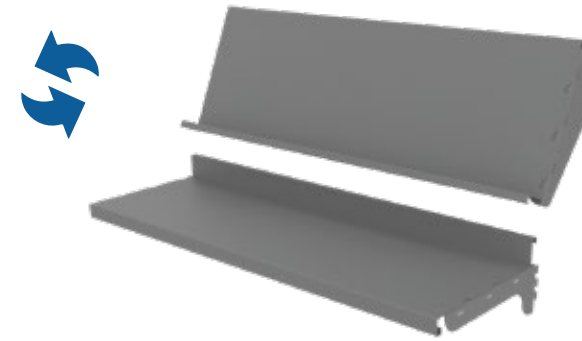


DISPLAY SHELF

Shelf brackets slot into place for optimum display angle.

FLAT SHELF

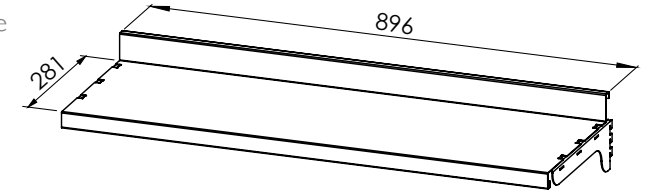
To change from display to flat shelf, flip reversible shelf and brackets.



REVERSIBLE LINEA SHELF

89002K

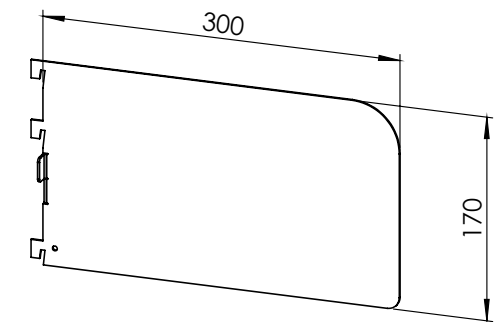
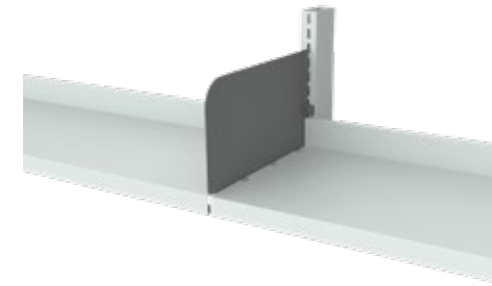
Unique bracket design enables shelf to be used as a flat or display shelf. As a flat shelf, the depth is suitable for Fiction and DVD display.



REVERSIBLE LINEA INTERMEDIATE BRACKET

89002-2

Optional divider bracket when using as flat shelf. Divide collections and delineate bays.



LINEA | FLAT SHELVES



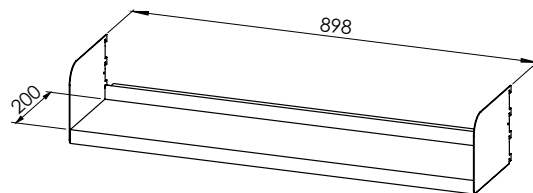
FLAT SHELF - 200mm DEEP

89020

Spine out display of Fiction or Nonfiction. Brackets required: End Brackets 855 or Intermediate Brackets 859.

40 - Book capacity*

0.9 - Lineal metres



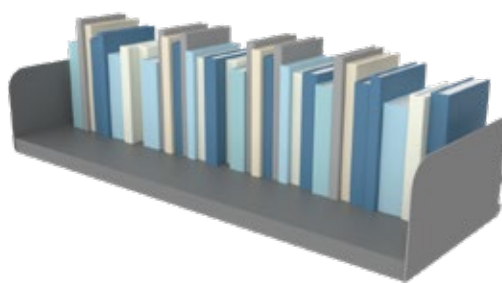
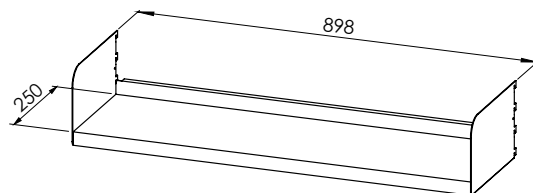
FLAT SHELF - 250mm DEEP

89225

Spine out display of Fiction or Nonfiction. Brackets required: End Brackets - 857 or Intermediate Brackets required - 862.

40 - Book capacity*

0.9 - Lineal metres



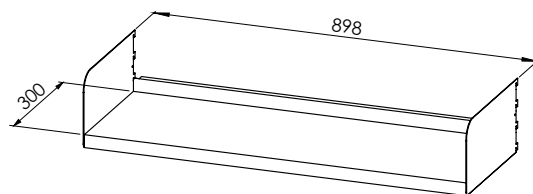
DEEP FLAT SHELF - 300mm DEEP

89330

Recommended for larger format material, usually Nonfiction. Brackets required: End Brackets - 858 or Intermediate Brackets - 878.

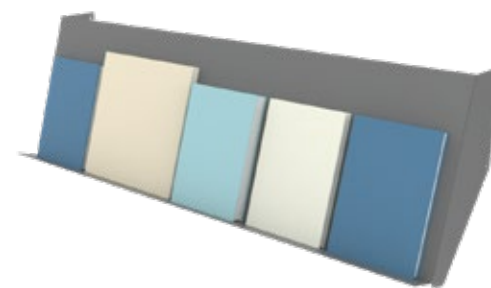
40 - Book capacity*

0.9 - Lineal metres



*Book capacities are approximate only and vary depending on collection

LINEA | DISPLAY SHELVES



UNIVERSAL DISPLAY SHELF

940 - WITH STRAIGHT 50MM LIP

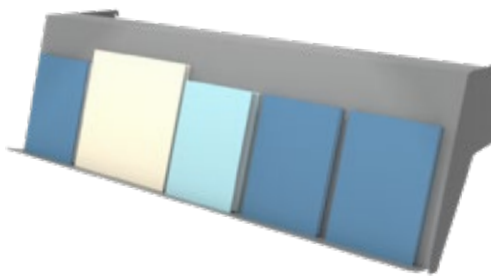
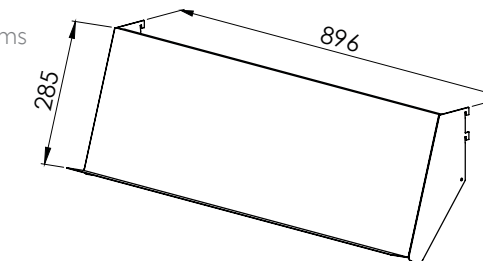
Face out display of popular, new and topical items helps increase circulation. Clips directly to posts.

980 - WITH 32.5MM TURNED UP LIP

Option for magazines or thin book display.

5-6 - Book capacity*

0.9 - Lineal metres



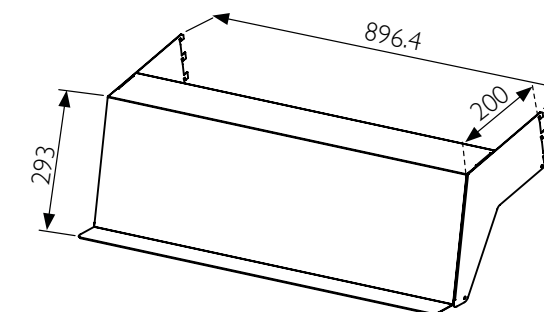
EXTENDED DISPLAY SHELF

940EXT

Ideal for bottom display shelves to bring collection forward from shadows cast by shelves above. Clips directly to post.

5-6 - Book capacity*

0.9 - Lineal metres



SLIM DISPLAY SHELF - WITH 40mm LIP

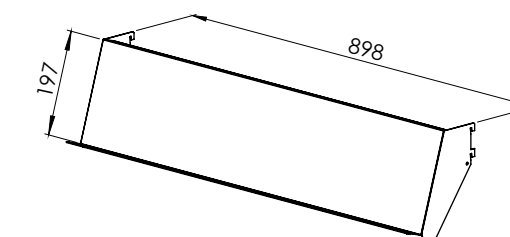
804

Designed for smaller books and DVD display.

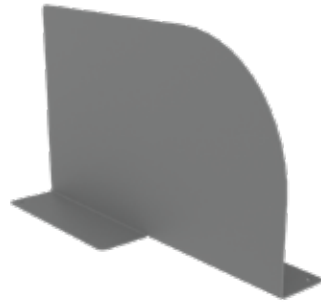
5-6 - Book capacity*

6 DVDs - Standard size

0.9 - Lineal metres



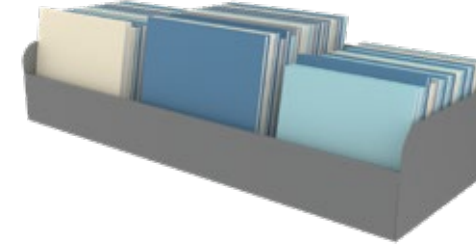
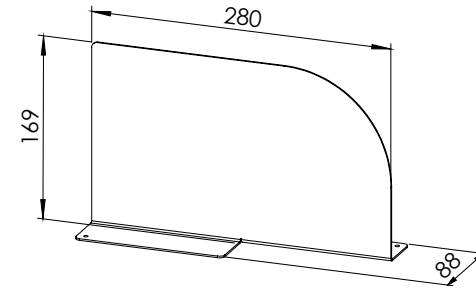
*Book capacities are approximate only and vary depending on collection



BROWSER TUB DIVIDER

549

Easily placed inside browser tub shelf.



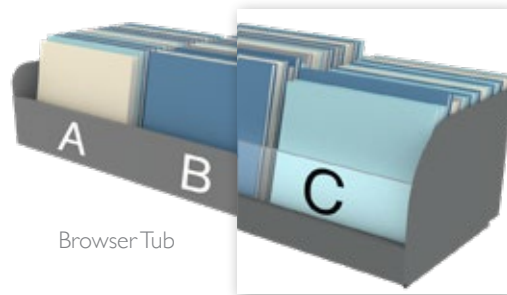
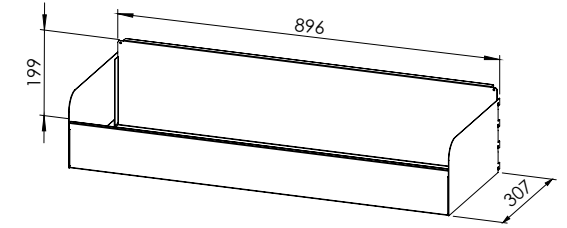
BROWSER TUB SHELF

550

For forward facing display of picture books. Clips straight into post.

50-60 - Book capacity*

0.9 - Lineal metres



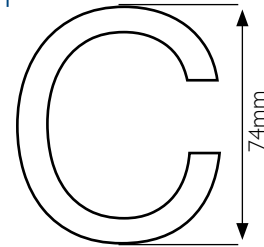
Browser Tub

BROWSER TUB STICKER SET

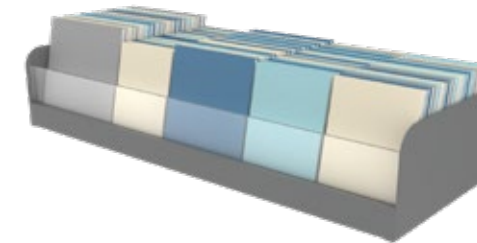
32967WHI

32968BLK

Set of self-adhesive vinyl letters includes 3 of each letter. Removable adhesive is not repositionable.



Browser Tub with Acrylic



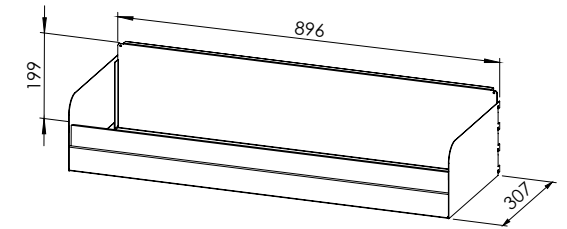
BROWSER TUB SHELF – ACRYLIC PANEL

555

Offering the same features as a standard browser tub, with the addition of a clear acrylic front plate to maximise exposure of book covers.

50-60 - Book capacity*

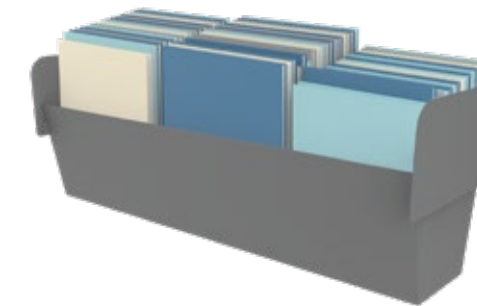
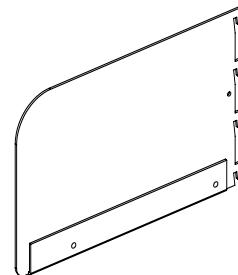
0.9 - Lineal metres



PICTURE BOOK TUB BRACKETS 250MM

857

Picture BookTubs compatible with with standard 250mm shelf brackets.



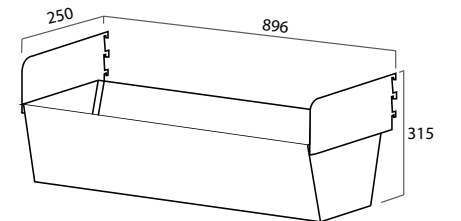
PICTURE BOOK BROWSER TUB

992

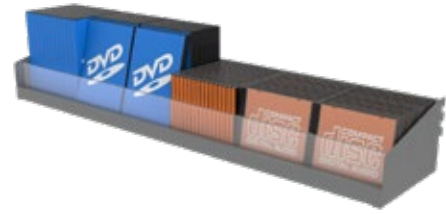
Deeper storage for forward facing display of larger picture books. Clips straight into post. Brackets required: End Brackets 993 (x2).

50-60 - Book capacity*

0.9 - Lineal metres



*Book capacities are approximate only and vary depending on collection

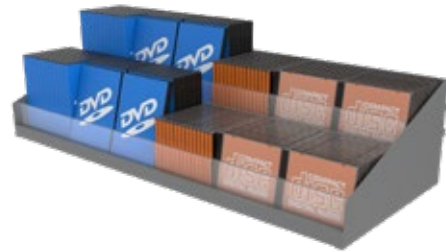
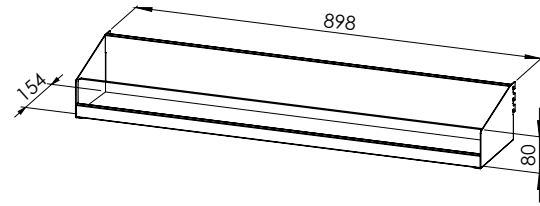


SINGLE TIER AV FLICK SHELF - ACRYLIC FRONT

818

Slimline face out display shelf that accommodates a standard DVD case.

	SPINE OUT	FACE OUT
	59	42
	82	59

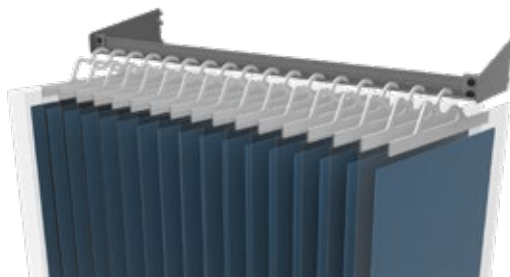
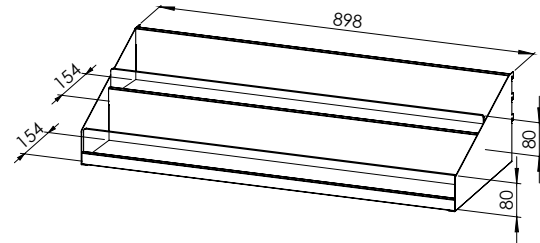


2 TIER AV FLICK SHELF - ACRYLIC FRONT

821

Accommodates 2 rows of 6 DVDs. Each row holds 10 DVDs.

	SPINE OUT	FACE OUT
	118	84
	164	130

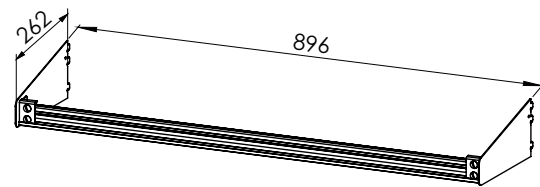


HANG RAIL

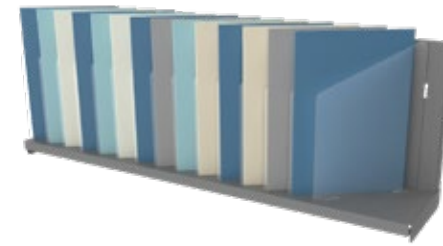
994

Metal hang rail attaches to shelving posts. Assembly required. Designed for storage of educational kits. Holds maximum of 45 bags.

Storage hang up bags sold separately.



*Book capacities are approximate only and vary depending on collection

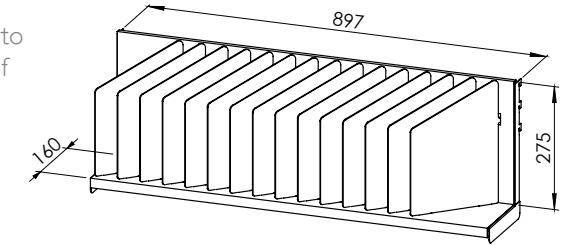


CLEAR VIEW MAGAZINE DIVIDER SHELF - 160MM DEEP

788

Shelf includes 15 x 45° angled transparent dividers to separate magazines. Acrylic dividers attach into shelf slots. 50mm clearance between dividers.

0.9 - Lineal metres

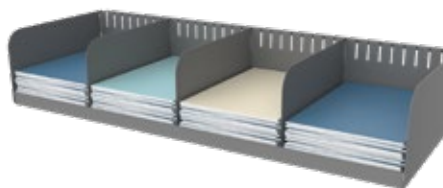
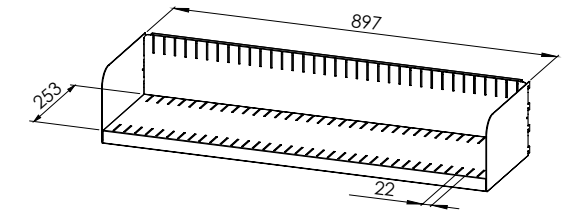


MAGAZINE DIVIDER SHELF - 250MM DEEP

789

Stores 3 standard Australian size magazines per shelf (displayed landscape format). 35 slots enable dividers to be repositioned. Dividers click into slots. Each shelf is supplied with two metal dividers.

0.9 - Lineal metres

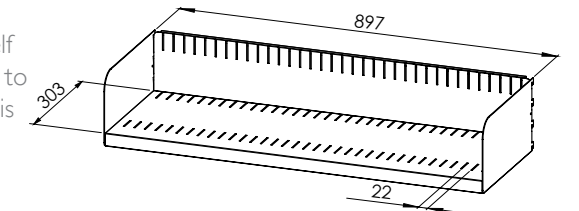


MAGAZINE DIVIDER SHELF - 300MM DEEP

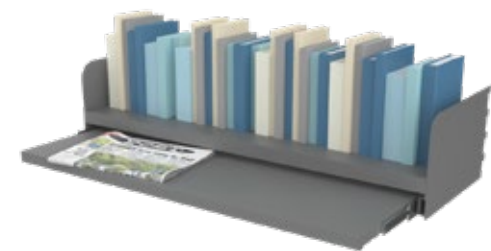
790 - SHELF

Stores 4 standard Australian size magazines per shelf (displayed portrait format). 35 slots enable dividers to be repositioned. Dividers click into slots. Each shelf is supplied with three metal dividers.

0.9 - Lineal metres



*Book capacities are approximate only and vary depending on collection



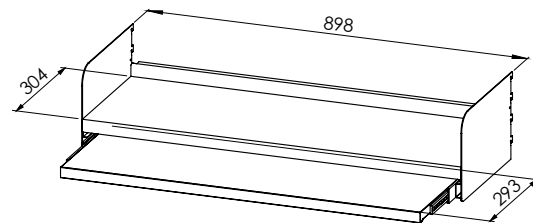
SLIDE OUT REFERENCE SHELF - 300mm DEEP

814

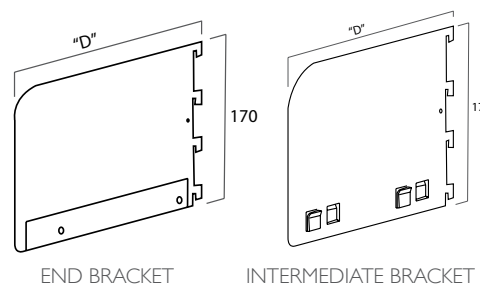
Retractable shelf provides a useful browsing surface for academic and archive libraries. Brackets required.

45 - Book capacity*

0.9 - Lineal metres



FLAT SHELF BRACKETS



855 - 200mm END BRACKET

859 - 200mm INTERMEDIATE BRACKET

857 - 250mm END BRACKET

861 - 250mm INTERMEDIATE BRACKET

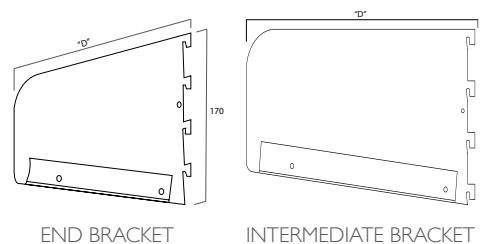
858 - 300mm END BRACKET

862 - 300mm INTERMEDIATE BRACKET

End brackets (sold in pairs) have a clean, flat external surface.

Intermediate brackets (sold individually) for connecting shelves side by side.

UPSLOPING FLAT SHELF BRACKETS



879 - 200mm END BRACKETS

875 - 200mm INTERMEDIATE BRACKETS

881 - 250mm END BRACKETS

877 - 250mm INTERMEDIATE BRACKETS

882 - 300mm END BRACKETS

878 - 300mm INTERMEDIATE BRACKETS

Convert your flat shelf into an up-sloping flat shelf. Ideal for lower shelves to enable easier viewing of spines.

*Book capacities are approximate only and vary depending on collection

METAL DUST COVER



961 - 200mm

963 - 250mm

964 - 300mm

Favoured by libraries that choose not to apply front facing display shelves at the top level (using both creates shadows and will impact shelf spacing/clearances).

LAMINATE DUST COVER



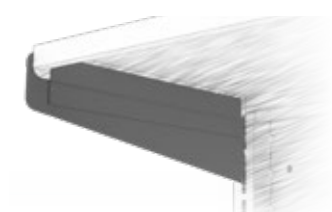
Laminate solid dust covers increase the overall bay height by the thickness of the dust cover (**18 mm**).

****Enquire with Our Team**

Favoured by libraries that choose not to apply front facing display shelves at the top level (using both creates shadows and will impact shelf spacing/clearances).

Laminate dust covers can be matched to bay ends to create a housed finish to shelving.

METAL DUST COVER END BRACKET - [PAIR]



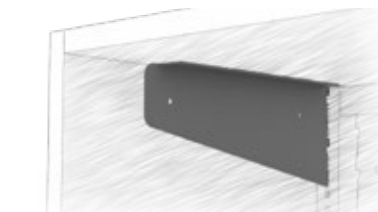
976 - 200mm

978 - 250mm

979 - 300mm

Supports dust covers at the start and end of a run of shelving.

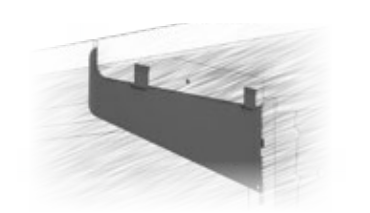
LAMINATE DUST COVER END BRACKET - [PAIR]



896 - 250mm

Metal bracket supports dust covers at the start and end of a run of shelving.

METAL DUST COVER MIDDLE BRACKET



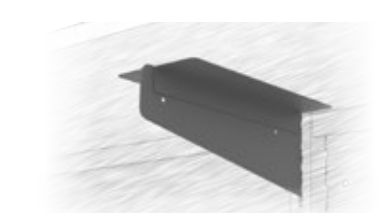
971 - 200mm

973 - 250mm

974 - 300mm

Double-feed bracket used to support dust covers in a run of multiple bays.

LAMINATE DUST COVER MIDDLE BRACKET



897

A double-feed metal bracket used to support dust covers in a run of multiple bays.



LINEA | WEDGES & BOXES



FINISHES
PAGE 129

POWDER
COATS
PAGE 127

10
YEAR
WARRANTY

MADE IN
AUSTRALIA



Y-CONFIG

An infill designed for creating 3-way shelving configurations. Can be colour matched to shelving to create a seamless finish.

*Double sided shelving only.



CORNER BOXES

Designed as room corner infills. Can be colour matched to shelving to create a seamless finish.

*Single sided shelving only.

EXPRESSIONS

Combining the sophistication of timber laminate housing with the flexibility of adjustable metal or timber laminate shelves, Expressions provides the ultimate shelving solution.



LAMINATE FINISHES



STEEL SHELVING



AUSTRALIAN MADE | LIFETIME WARRANTY ON STEEL SHELVES

All Raeco shelving is 100% recyclable & GECA Certified



Customise shelf colour and laminate finish.

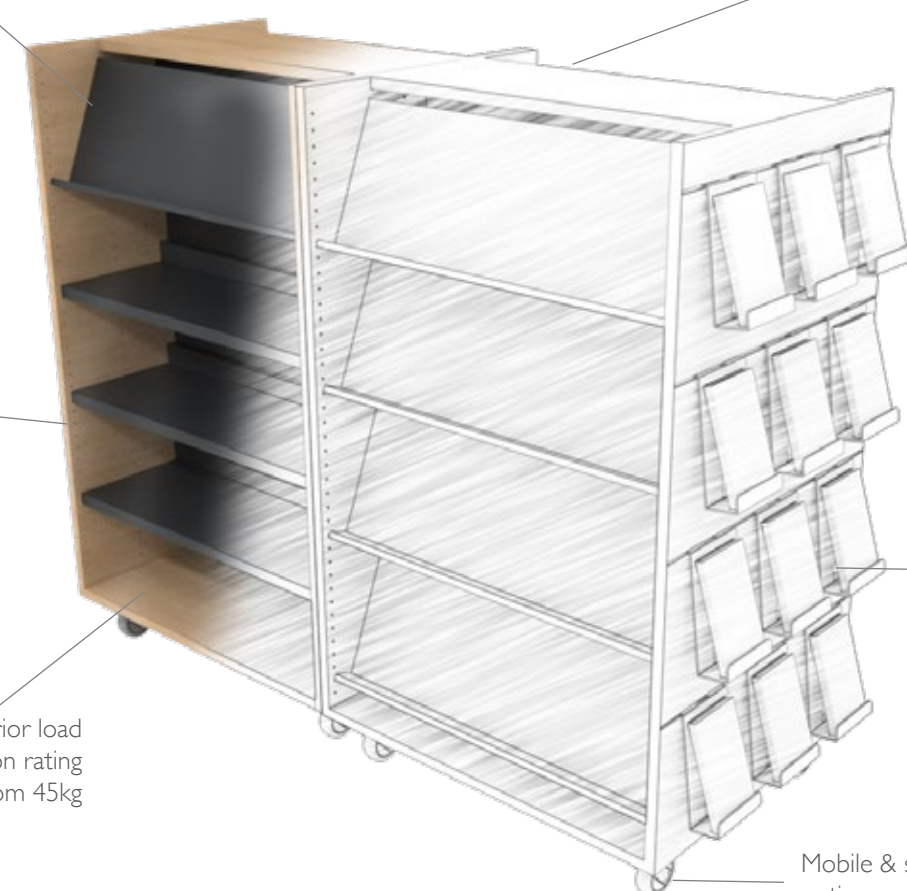
Superior load distribution rating (UDL) from 45kg

Ample flat surface for signage

Australia's widest range of shelving, accessories and powder coat options

Slatwall display panel or acrylic display shelves.

Mobile & static options available



RECOMMENDED SHELF SPACING

FICTION	NONFICTION	AV (DVDS)
200mm minimum - Small Fiction	250mm minimum - Small Fiction	230mm
250mm minimum - Large Fiction	300mm minimum - Large Nonfiction	

SHELF DEPTH

FICTION	NONFICTION	AV (DVDS)	DEEP SHELF
200mm	250mm	200mm	300mm

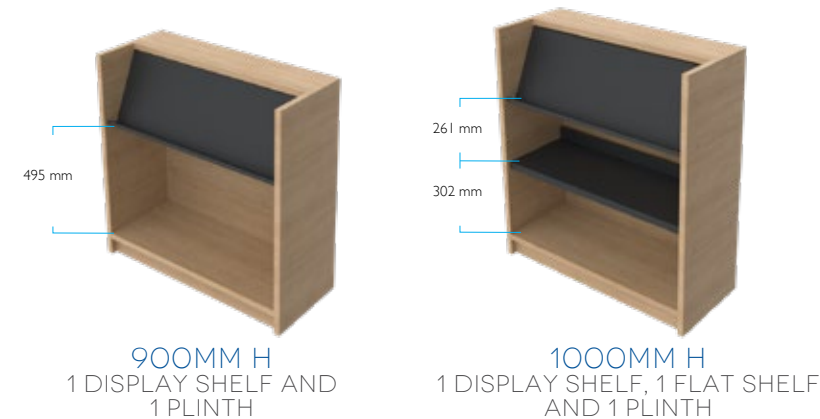
ADDITIONAL HEIGHTS

UNIT HEIGHT	SHELVES	DISPLAY SHELF SPACING	FLAT SHELF SPACING
1700MM	4	426MM	390MM
	5	330MM	291MM
1900MM	4	456MM	485MM
	5	362MM	325MM
2000MM	4	488MM	515MM
	5	330MM	386MM

Our guides are based on recommended configurations with evenly spaced flat shelves and one display shelf on top. Measurements shown indicate minimal spacing.



Wheels add an additional 125mm to the overall unit height. **Maximum mobile height 1600mm.** (Mobile available for double sided units only)





370MM DEEP



715MM DEEP

SINGLE SIDED

Shown with optional bottom shelf overlay

DOUBLE SIDED

Shown without optional bottom shelf overlay

DOUBLE SIDED MOBILE

Shown with optional bottom shelf overlay

900MM WIDTH

HALF TOP

Half top reduces shadows and provides better line of sight.



FULL TOP

Full top creates a fully boxed finish.

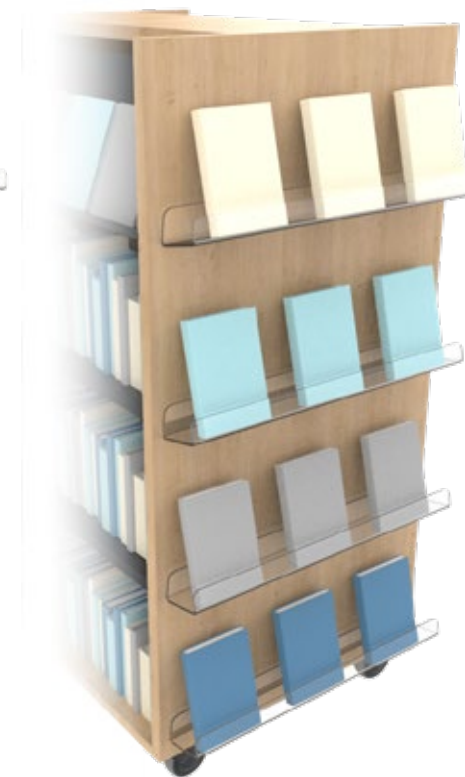


DISPLAY ENDS

Slatwall or acrylic shelves provide the opportunity to add visual interest and significantly improving loan potential.



SLATWALL WITH ACRYLIC BOOK HOLDERS



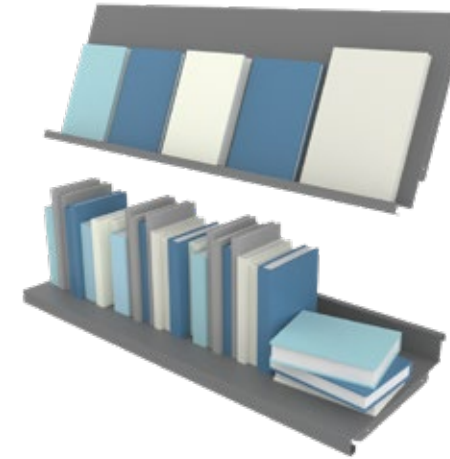
ACRYLIC SHELVES



MULTI-FUNCTIONAL

Reversible shelves can be transformed from flat to face out display.

To adjust shelving heights, insert stainless steel mounting pins into pre-drilled holes and secure shelf.



REVERSIBLE METAL SHELF – 300MM DEEP

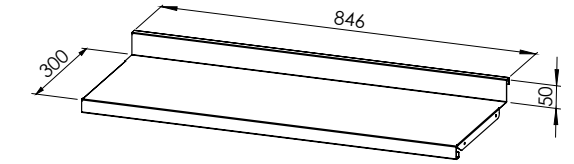
89000K

Reverse the shelf to transform from flat to face out display. Mounting pins supplied.

Book capacity*

 **5-6** face out display
 **40** spine out display

 **0.8** - Lineal metres



REVERSIBLE LAMINATE SHELF – 300MM DEEP

89003

Available in your choice of laminate colours. Reverse the shelf to transform from flat to face out display. Mounting pins supplied.

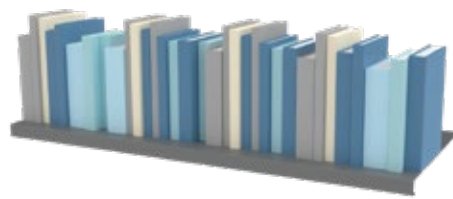
Book capacity*

 **5-6** face out display
 **40** spine out display

 **0.8** - Lineal metres



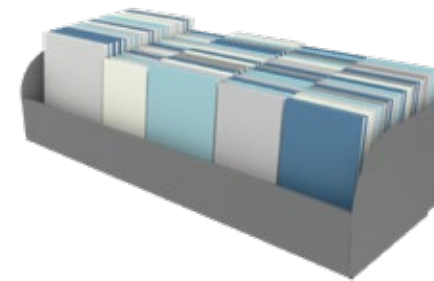
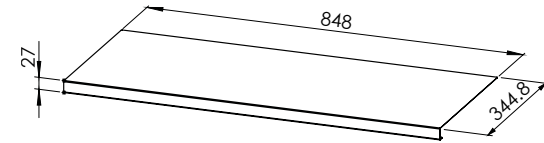
*Book capacities are approximate only and vary depending on collection



BOTTOM SHELF OVERLAY

89008

Slides onto the bottom shelf of Expressions bays to enhance presentation.



BROWSER TUB

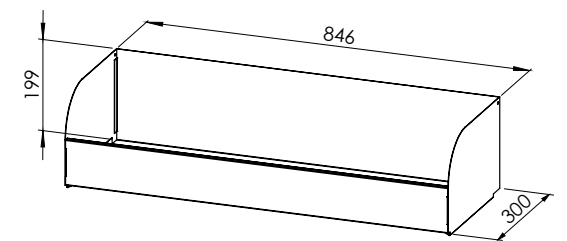
89001

Forward facing tub, commonly used for picture books.

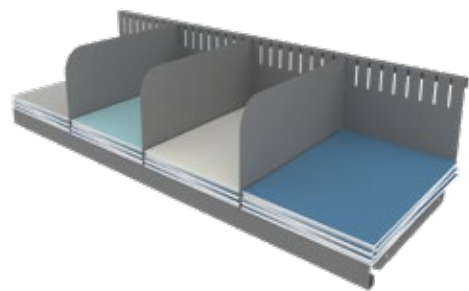
Optional acrylic front lip available, which sits 30mm above the existing 100mmH steel front lip.

50 - 60 - Book capacity*

0.8 - Lineal metres



*Book capacities are approximate only and vary depending on collection

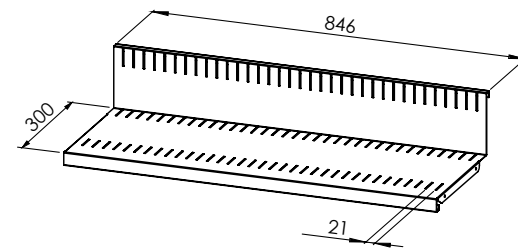


MAGAZINE DIVIDER SHELF – 300MM DEEP

89009

Stores 4 standard Australian size magazines per shelf (displayed portrait format). 35 slots enable dividers to be repositioned. Dividers click into slots.

Each shelf is supplied with mounting pins and three metal dividers that click into slots.

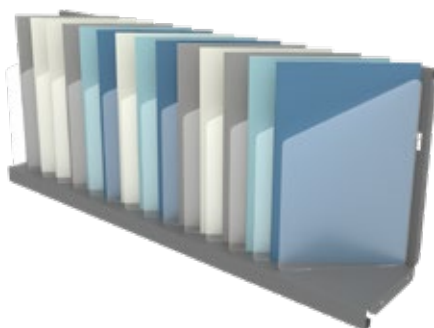
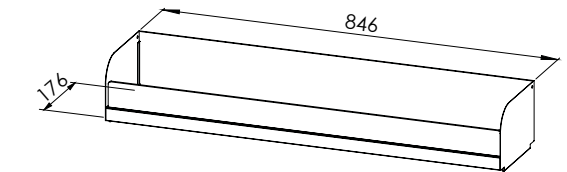


SINGLE TIER AV SHELF – 175MM DEEP

89007

Slimline face out display shelf that accommodates a standard DVD case. Mounting pins supplied.

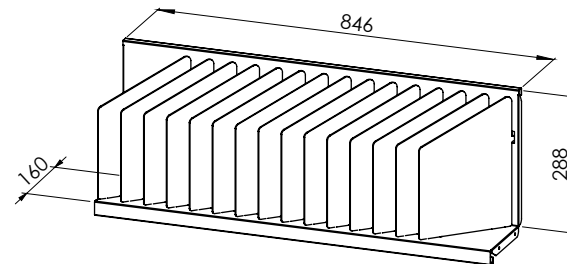
	SPINE OUT	FACE OUT
	59	42
	82	59



CLEARVIEW MAGAZINE DIVIDER

89010

Shelf includes 15 x 45° angled transparent dividers to separate magazines. Acrylic dividers attach into shelf slots. 50mm clearance between dividers. Mounting pins supplied.

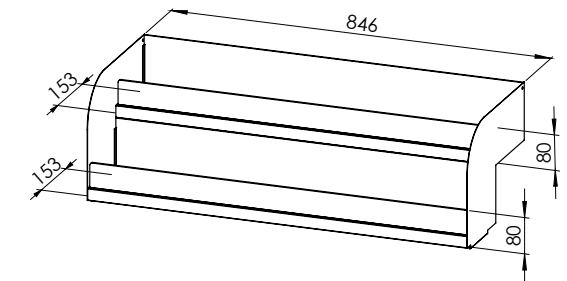


2 TIER AV SHELF – 306MM DEEP

89004

Accommodates 2 rows of 6 DVDs. Each row holds 10 DVDs. Mounting pins supplied.

	SPINE OUT	FACE OUT
	118	84
	164	130



*Book capacities are approximate only and vary depending on collection

CURVED EXPRESSIONS



Reimagine your layout with curved shelving. Compatible with our Standard Expressions foot print, curved Expressions consists of a laminate double bay body, with interchangeable shelves. Available in all Expressions heights and shelf allowances. See page 43



Curved Expressions in Natural Oak Laminate with Black ABS Edging and Charcoal Shelves



Configuration Example Using Curved with Standard Expressions

DISPLAY SHELF KIT

CURDSP

Kit includes (1) Convex (1) Concave powder coated steel display shelf.
*Pins included (8 pins)

Book capacity*

3-4 face out display

0.6 - Lineal metres



FLAT SHELF KIT

CURFLT

Kit includes (1) Convex (1) Concave powder coated steel flat shelf.
*Pins included (8 pins)

Book capacity*

25 spine out display

0.6 - Lineal metres



Wheels add an additional 125mm to the overall unit height.
Maximum mobile height 1600mm.

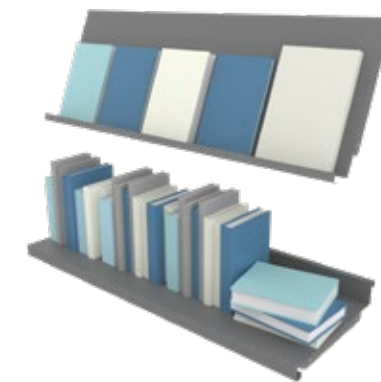
SLIMLINE EXPRESSIONS



Designed for libraries with space constraints, Slimline Expressions are 650mm wide - 70mm less than the standard Expressions range. With no compromise to capacity, Slimline Expressions features a reversible shelf system (not interchangeable with Expressions range).



Slimline Expressions in Rock Maple Laminate with Charcoal Shelves
900mm Shelf Width



REVERSIBLE METAL SHELF - 260MM DEEP

S99000K

Reverse the shelf to transform from flat to face out display.

Book capacity*

5-6 face out display
40 spine out display

0.8 - Lineal metres

*Book capacities are approximate only and vary depending on collection

CUSTOMISED SHELVING

Planning a new build or major renovation? The team at Raeco would be delighted to liaise with you to bring concepts to life as 3D renders. This will enable you to review both look and functionality prior to fabrication.



OFF SITE DISPLAY

Designed for remote promotion at shopping centres, community centres, foyers, classrooms or other special events.





Lockable Unit in Rock Maple with Tambour Door Available In White or Black and Powder Coated Internal Shelves. Lockable Wheels.



Interchangeable Shelf Configurations

LOCKDS

Available in customised laminate with lockable base level cabinet and retractable, lockable Tambour door in either black or white. Compatible with all standard Expressions shelving accessories.

Dimensions:
900 L x 500 W x 1600 H



Workstation Trolley in Charcoal with Offsite Display Kit (Sign Not Included in Kit)



Workstation Trolley Display Kit



Raeco Standard Trolley 42012

DISKIT

Raeco trolley display kit includes one long display shelf, two end display panels, each with three slot in metal shelves.

Compatible with Raeco Standard Trolley: 42012 & 42011 (Trolley not included in kit)

CHILDREN

Linea and Expressions shelving provide countless solutions for collection layout. This can be further enhanced with our colourful range of children's display tools.





PICTURE BOOK DISPLAY



ZIG ZAG TOWER DOUBLE SIDED MOBILE UNIT

415540**

Double sided mobile unit with lockable wheels and 12 display compartments with a clear acrylic front. Select matching or contrasting laminate and edging.

855H x 1100W x 700D MM

Book capacity*

 180 face out display



ZIG ZAG TOWER SINGLE SIDED STATIC UNIT

415541**

Single sided static unit with 6 display compartments and a clear acrylic front. Select matching or contrasting laminate and edging.

855H x 1100W x 355D MM

Book capacity*

 90 face out display

BOARD & PICTURE BOOK DISPLAY



BOARD BOOK TIERED DISPLAY

Multi-tiered laminate book display system with blonde timber legs.



PBTSMML
Small 785H x 900W x 650D


Book capacity*
 **70** face out display

PICTURE BOOK TIERED DISPLAY

Available in customised laminate with blonde timber legs.



PBTLRG
Large 1000H x 900W x 660D

Book capacity*
 **80** face out display

BOARD BOOKS




SIT & SELECT

Shallow display tub designed for board books. Available in customised laminate, accent edging and fabrics of your choice.



Suggested Configuration
Using 2 Units

SITSEL
450H x 1100W x 535D

Book capacity*
 **50** face out display

*Book capacities are approximate only and vary depending on collection

Transform plain walls into a talking point with these super-sized, eye catching world maps from Merchandising Libraries. With superior quality print and fabricated from robust, lightweight foam PVC, each map comprises of a set of eight 600mm square tiles that are easy to install.

Velcro is applied to the back of each tile, allowing easy adjustment or relocation.



ILLUSTRATION
MLMAP-ILL
2400 L X 1200 H



COLOURFUL
MLMAP-COL
2400 L X 1200 H



TRADITIONAL
MLMAP-TRA
2400 L X 1200 H



Using the latest technology, these high-resolution works are digitally printed to either acrylic (Perspex) or adhesive vinyl to create stunning installation art that adds visual interest to any space.

Sold in sets of 6, each bird is unique in style and form. The average measurement is 600mm in diameter, making them large enough to make quite a statement!

Use multiple sets to further maximise impact. You might also consider using two fabrication styles. For example, hanging birds might be used in combination with matching vinyl decals that are applied to walls or windows.

HANGING

Artwork is printed to 3mm thick clear acrylic which ensures the image is of equal print quality on both sides (one side matt finish, other gloss). Each bird is supplied with 2 lines of clear fluorocarbon wire, to minimise movement that can effect security alarms, plus clips for attachment to ceiling tile grid. Hooks for standard plaster ceilings are at your discretion.

Set of 6:
MLBIRD-HAN

WALL MOUNTED

Each bird is supplied with three 10mm square clear acrylic blocks that have double-sided tape on both sides, allowing you to mount the birds slightly off the wall, creating a raised/3D effect.

Set of 6:
MLBIRD-WAL

ADHESIVE VINYL DECALS

Supplied as six separate decals, we are offering two options:

- Standard high-resolution vinyl decal (ideal for smooth plaster walls)
- Translucent vinyl decals (designed for windows)

Set of 6 standard vinyl decals:
MLBIRD-VIN

Set of 6 translucent vinyl decals for glass:
MLBIRD-TRA



Set of 6 Includes the Above



CLOUDS

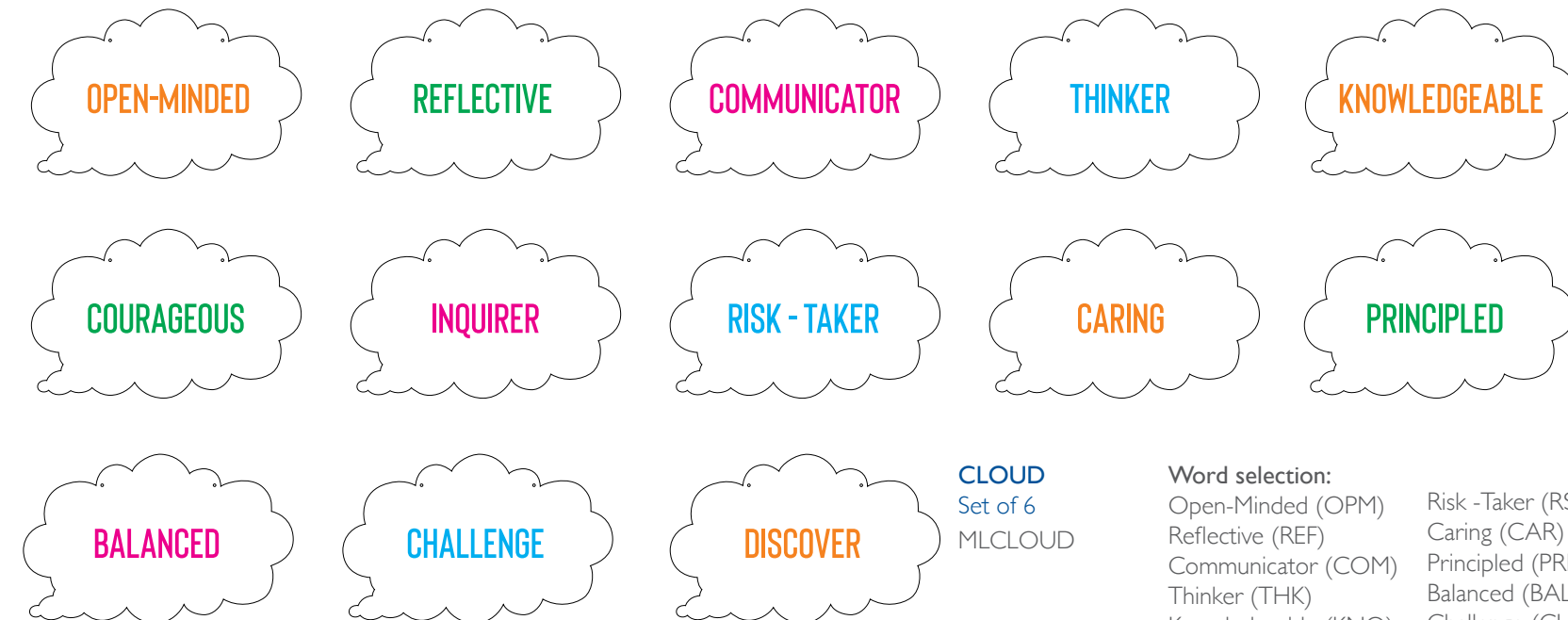
Highlight values or learner profiles with these giant floating cloud mobiles. Manufactured from 3mm thick matt and gloss white acrylic, each cloud features 3D raised lettering on both sides.

Each cloud is supplied with 2 lines of clear fluorocarbon wire, to minimise movement that can effect security alarms, and clips for attachment to ceiling tile grid. Hooks for standard plaster ceilings are at your discretion. Choose the word you would like applied to each cloud - same word both sides.

Select from orange, green, pink or blue text.

Dimensions

- Length: 800mm
- Height: 500mm



CLOUD
Set of 6
MLCLOUD

Word selection:

Open-Minded (OPM)	Risk -Taker (RST)
Reflective (REF)	Caring (CAR)
Communicator (COM)	Principled (PRI)
Thinker (THK)	Balanced (BAL)
Knowledgeable (KNO)	Challenge (CHA)
Courageous (COR)	Discover (DIS)
Inquirer (INQ)	

Text on each cloud is available in either Orange (ORA), Green (GRN), Pink (PNK) or Blue (BLU)



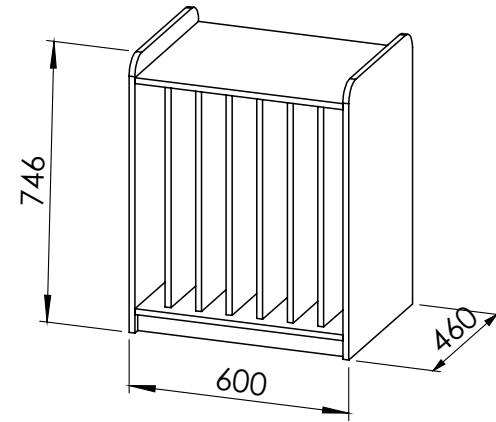
EXTRA STORAGE



BIG BOOK STORAGE

10538

7 storage compartments. Select matching or contrasting laminate and edging.



HERO BOOK DISPLAY DISCS BY



MIX AND MATCH COLOURS

Choose One Sign and 15 Book Display Disc colours

FICTION - 300MM DIAMETER

	"What's Hot" Sign	"Quick Pick" Sign	Book Display Disc
Blue	32992BLU	32991BLU	32990BLU
Orange	32992ORA	32991ORA	32990ORA
Lime	32992LIM	32991LIM	32990LIM
Pink	32992PNK	32991PNK	32990PNK
Black	32992BLK	32991BLK	32990BLK

NON FICTION - 400MM DIAMETER

	"What's Hot" Sign	"Quick Pick" Sign	Book Display Disc
Blue	32997BLU	32996BLU	32995BLU
Orange	32997ORA	32996ORA	32995ORA
Lime	32997LIM	32996LIM	32995LIM
Pink	32997PNK	32996PNK	32995PNK
Black	32997BLK	32996BLK	32995BLK



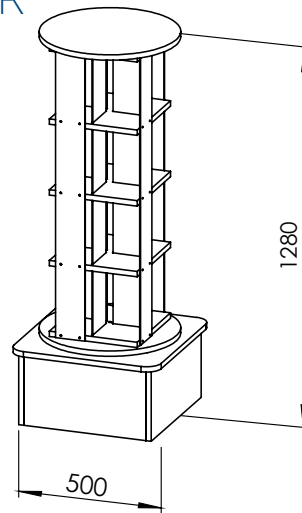
4 TIER CHILDREN'S SPINNER

10511

360 degree spinner features clear acrylic panels for face out book display. Get creative by selecting contrasting spinner and plinth top colours.

220mm Internal Shelf Height

- 144** - Paperbacks up to 220mmH
- 160** - Standard size DVDs



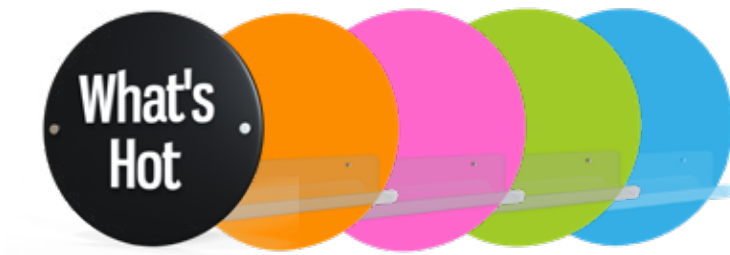
ONE COLOUR SET - BLACK

FICTION SET

32980 - "Quick Pick"
32981 - "What's Hot"
 1 Black Sign & 15 Black Book Display Discs 300mm diameter

NONFICTION SET

32982 - "Quick Pick"
32983 - "What's Hot"
 1 Black Sign & 15 Black Book Display Discs 400mm diameter



*Book capacities are approximate and vary depending on collections. DVDs based on standard size (190x135x14mm)

DISPLAY & ACCESSORIES

Designed to enhance presentation at every budget level.



PREMIUM ACRYLICS BY MERCHANDISING LIBRARIES

In line with our commitment to stock premium quality products, Raeco has introduced a new range of acrylics produced by Merchandising Libraries.

With stringent quality control and flame polished edging to increase safety and eliminate sharp edges, you can be confident that all Merchandising Libraries products are tailored to meet your practical needs.

DRESSING SLATWALL BAY END PANELS

To maximise impact, a 725mm wide Raeco bay end will accommodate three book holders (Fiction or Nonfiction) per strip of extrusion*

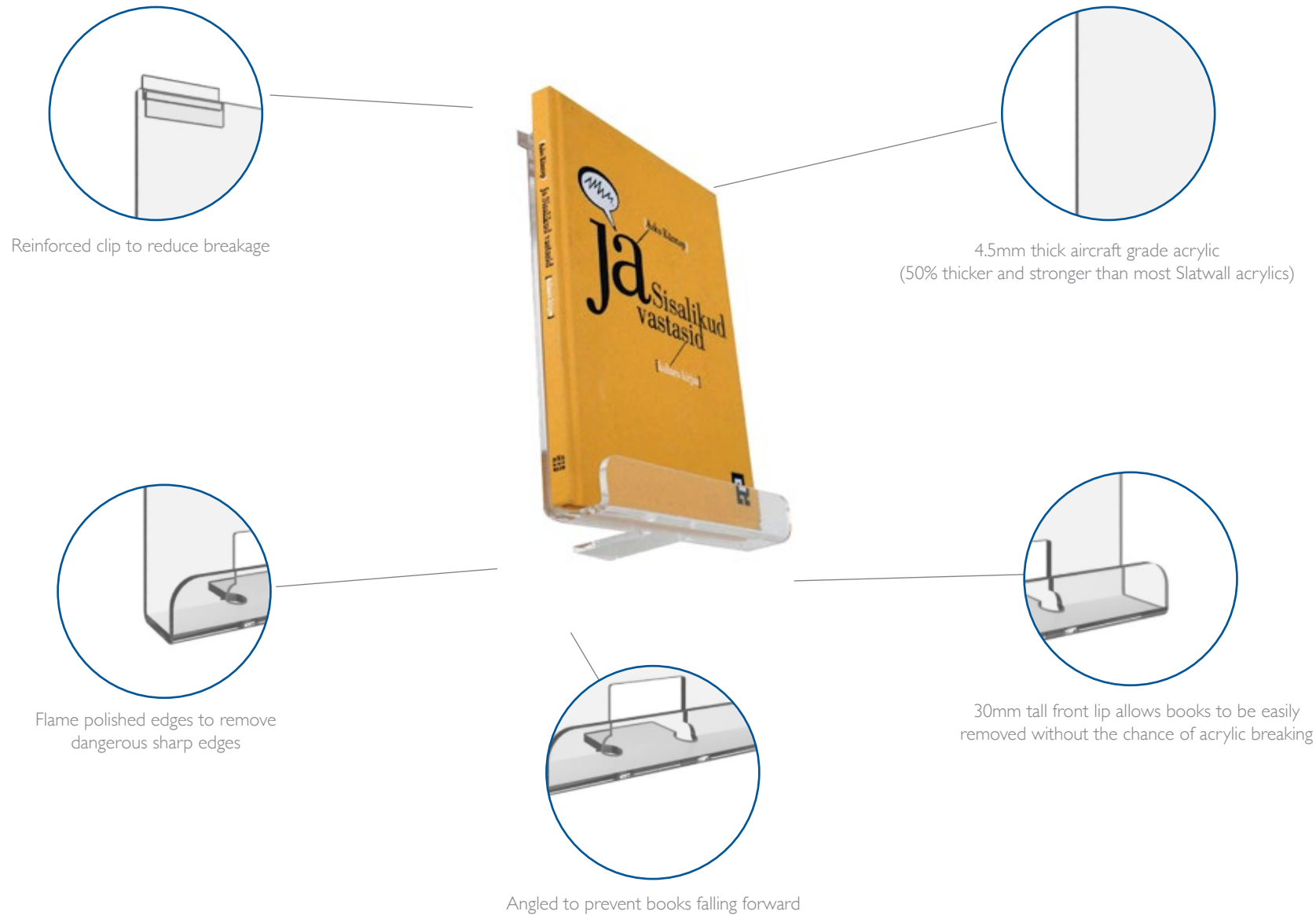
If you are ordering new bay end panels, we recommend the following:

- 1200mmH - 3 rows (9 books per bay end)
- 1500mmH - 4 rows (12 books per bay end)
- 1800mmH+ - 5 rows (15 books per bay end)

(*Metal lip into which book holders anchor)



Designed to meet the practical needs of libraries and available in two sizes and two depths:



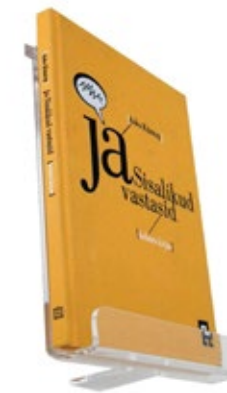
Reinforced clip to reduce breakage

4.5mm thick aircraft grade acrylic
(50% thicker and stronger than most Slatwall acrylics)

Flame polished edges to remove dangerous sharp edges

30mm tall front lip allows books to be easily removed without the chance of acrylic breaking

Angled to prevent books falling forward



SLATWALL ACRYLIC BOOK HOLDER - FICTION

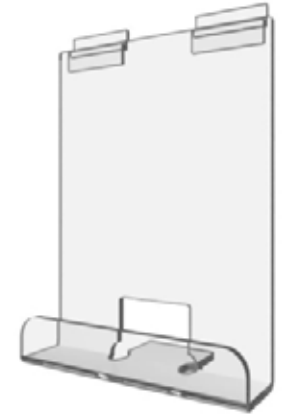
Fiction dimensions 190mmH x 149mmW

32452 - Fiction / Standard

Fits a standard fiction book up to 30mm thick.
\$17.95 ex GST

32453 - Fiction / Thick Book

Fits a thick fiction book up to 60mm thick.



SLATWALL ACRYLIC BOOK HOLDER - NONFICTION

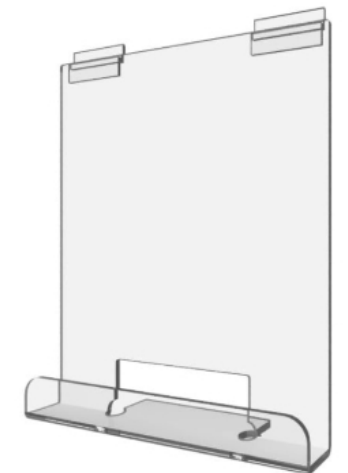
Nonfiction dimensions 240mmH x 200mmW

32450 - Nonfiction / Standard

Fits a standard Nonfiction book up to 30mm thick.

32451 - Nonfiction / Thick Book

Fits a thick Nonfiction book up to 60mm thick.



SELF-INSTALL ACRYLIC BAY END SHELF

Width: 680mmW to suit 725mmW bay end panel
Depth: An 85mm base accommodates thicker books

31010

Self-install shelves are a stylish and cost effective way to transform plain bay ends into display panels.

Supplied complete with fixing screws. Select black, white or brass.

Recommended layout:
Acrylic shelves are best aligned with book shelves.

- 1200mm high bay end panel: 3 acrylic shelves
- 1500mm high bay end panel: 4 acrylic shelves
- 1800mm + high bay end panel: 5 acrylic shelves

*600mm wide option available on request to fit Slimline Expression shelving.





PREMIUM BOOK HOLDER – FICTION

Dimensions (125H x 110W x 110Dmm)

31012

4.5mm thick acrylic combined with flame polished edging and anti-slip rubber feet results in a stylish, premium quality book holder that adds sophistication to displays.



SERIES / DVD HOLDER

Dimensions: (150H x 150W x 150Dmm)

31011

Designed to showcase a series or collection of DVDs, these robust acrylic holders are a stylish alternative to boxes and help maximise front facing books.

Clear rubber feet ensure good grip and protect shelving.



PREMIUM BOOK HOLDER – NONFICTION

Dimensions (200H x 180W x 110Dmm)

31016

4.5mm thick acrylic combined with flame polished edging. Anti-slip rubber feet and a support bracket to the rear ensures this stylish, premium quality book holder supports both large and thick Nonfiction.



CLEAR ACRYLIC BOOK ENDS

Clear acrylic book ends are an innovative way to reveal hundreds of hidden book covers and maximise loan potential.

Fabricated from robust 3mm thick aircraft grade acrylic with flame polished edges for additional safety. The base features a bevelled edge to assist with installation, a rear support foot and anti-slip clear rubber feet.



FICTION ACRYLIC BOOK END

31017

Dimension (170H x 120W x Base 75mm)



NONFICTION ACRYLIC BOOK END

31019

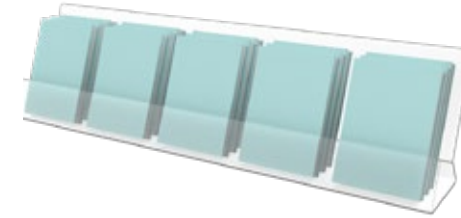
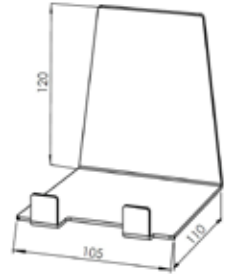
Dimension (260 H X 205 W X 135 D MM)





BUDGET ACRYLIC BOOK EASEL

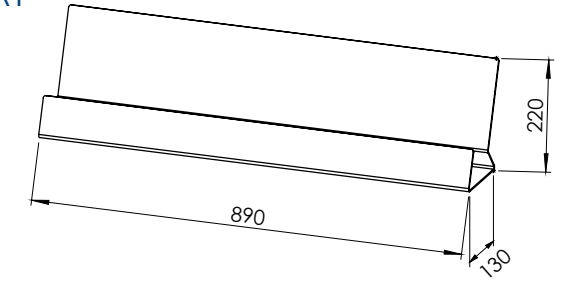
Offers entry level face out display on any flat surface.
18217 - 120H x 105W x 110Dmm



ACRYLIC TROUGH DISPLAY ONETIER

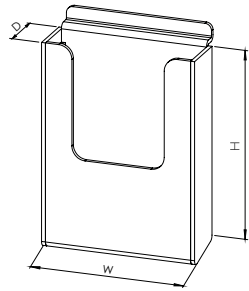
18262

Face out display on desk or counter top.



DL ACRYLIC BROCHURE HOLDER - FLUSH

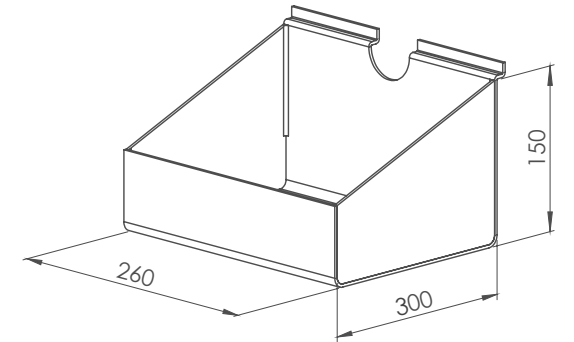
Compatible with Slatwall.
18199 - 155H x 110W x 38Dmm (DL)



ACRYLIC BOX

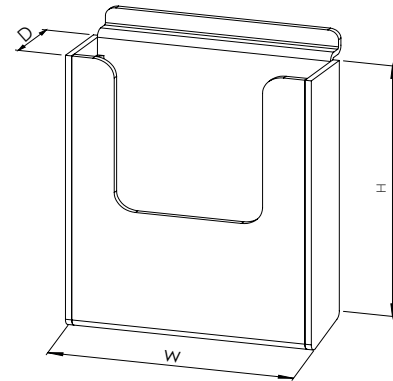
18148

Display bulky items, collections or giveaways.
4.5mm clear acrylic box.
Suggested weight load up to 2.5kg.



A4 ACRYLIC BROCHURE HOLDER - FLUSH

Compatible with Slatwall.
18263 - 250H x 235W x 30Dmm (A4)





DISPLAY | FREE STANDING SPINNERS

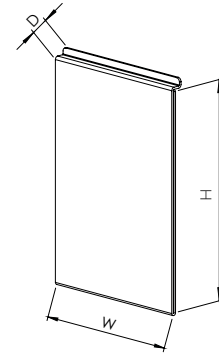


ACRYLIC SIGN HOLDERS - PORTRAIT

Designed for use on Slatwall.

I8265 - A4 portrait: 310H x 215W x 10Dmm

I8266 - A3 portrait: 430H x 300W x 10Dmm

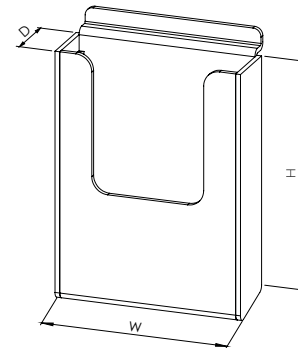


A5 ACRYLIC BROCHURE HOLDER - FLUSH

Compatible with Slatwall.

I8264 (A5 Portrait) - 165H x 165W x 35Dmm

I8321 (A5 Landscape) - 150H x 230W x 35Dmm



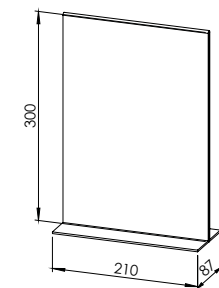
UPRIGHT SIGN HOLDERS

Free standing, double sided display.

I8226 - A5 210H x 150W x 80Dmm

I8258 - A4 portrait 300H x 210W x 80Dmm

I8166 - A4 landscape 210H x 297W x 80Dmm



4 TIER PAPERBACK SPINNER

I0492

360 degree spinner features acrylic panels for face out book display.

1280H x 500W mm

220mm Internal Shelf Height

Curly Birch

I44 - Paperbacks up to 220mmH

I60 - Standard size DVDs



4 TIER TRADEBACK SPINNER

I0527

360 degree spinner features acrylic panels for face out book display.

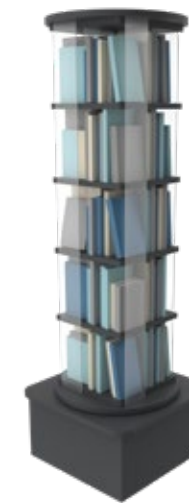
1510H x 655L x 655W mm

280mm Internal Shelf Height

Charcoal

I40 - Tradebacks up to 285mmH

I60 - Standard size DVDs



5 TIER PAPERBACK SPINNER

I0526

360 degree spinner features acrylic panels for face out book display.

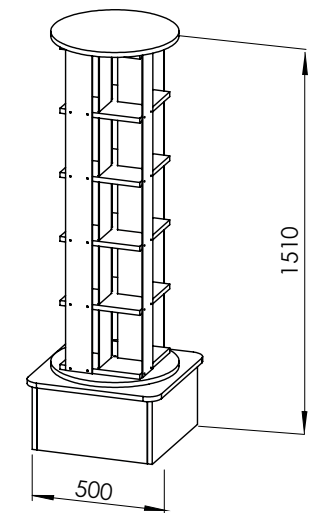
1510H x 500L x 500W mm

220mm Internal Shelf Height

Charcoal

I80 - Paperbacks up to 220mmH

I200 - Standard size DVDs



*Book capacities are approximate and vary depending on collections. DVDs based on standard size (190x135x14mm)

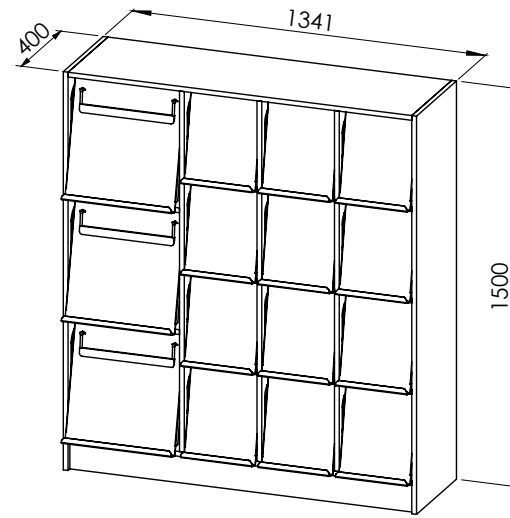


LIFT & SLIDE / 12 MAGAZINE & 3 NEWSPAPER DISPLAY

16113

Lift and retract doors showcase front faced current editions, while back-issues are neatly stowed in the pigeon holes. Cabinetry is made from 18mm thick laminate of your choice, teamed with 1.5mm thick robust steel doors.

Doors are only available in Charcoal.

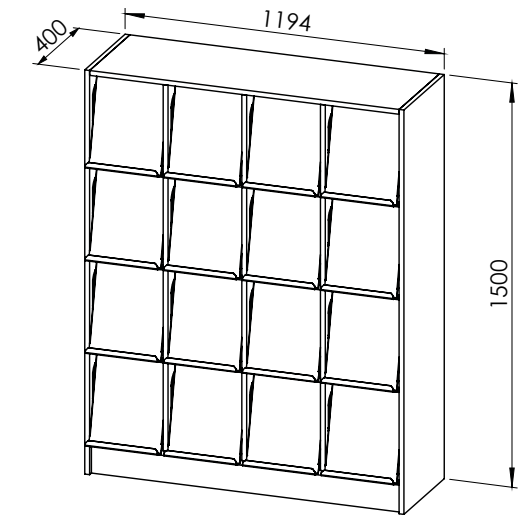


LIFT & SLIDE / 16 MAGAZINE DISPLAY

16114

Lift and retract doors showcase front faced current editions, while back-issues are neatly stowed in the pigeon holes. Cabinetry is made from 18mm thick laminate of your choice, teamed with 1.5mm thick robust steel doors.

Doors are only available in Charcoal.

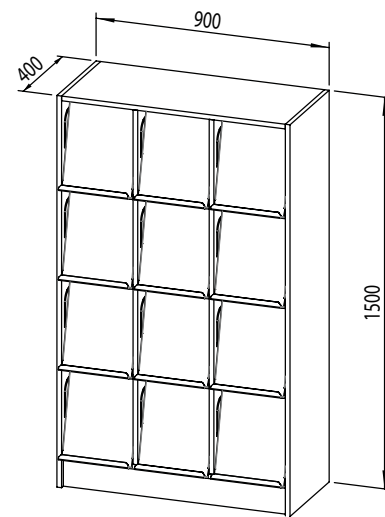


LIFT & SLIDE / 12 MAGAZINE DISPLAY

16112

Lift and retract doors showcase front faced current editions, while back-issues are neatly stowed in the pigeon holes. Cabinetry is made from 18mm thick laminate of your choice, teamed with 1.5mm thick robust steel doors.

Doors are only available in Charcoal.

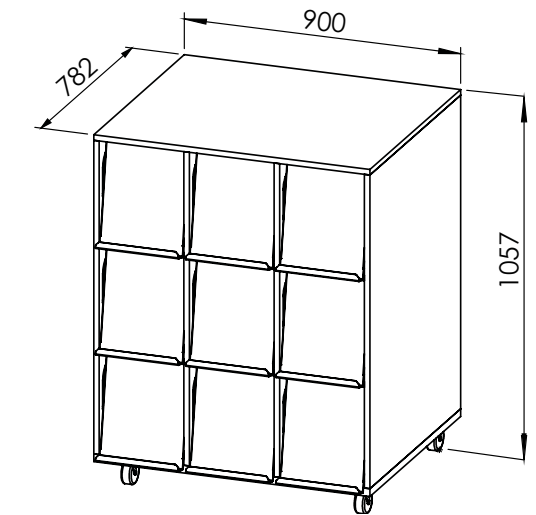


LIFT & SLIDE / 18 MAGAZINE DISPLAY DOUBLE SIDED MOBILE

10412

Lift and retract doors showcase front faced current editions, while back-issues are neatly stowed in the pigeon holes. Cabinetry is made from 18mm thick laminate of your choice, teamed with 1.5mm thick robust steel doors.

Doors are only available in Charcoal.



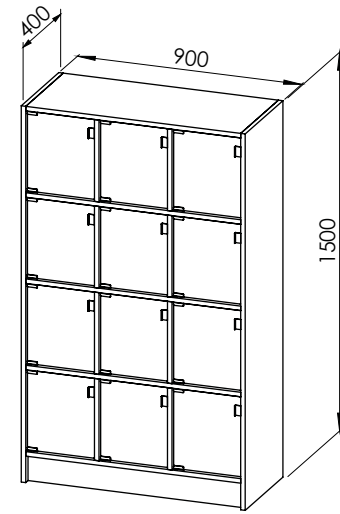


CLEAR HINGED DOOR / 12 MAGAZINE DISPLAY

16124

Cabinetry is made from 18mm thick laminate of your choice, teamed with 5mm thick acrylic doors that display current editions.

Back editions stored in pigeon hole.



FICTION ACRYLIC BOOK END

31017

Dimension (170H x 120W x Base 75mm)
Ideal for Fiction and some Nonfiction titles.
For larger and heavier books, you may wish to upgrade to Nonfiction acrylic book ends.

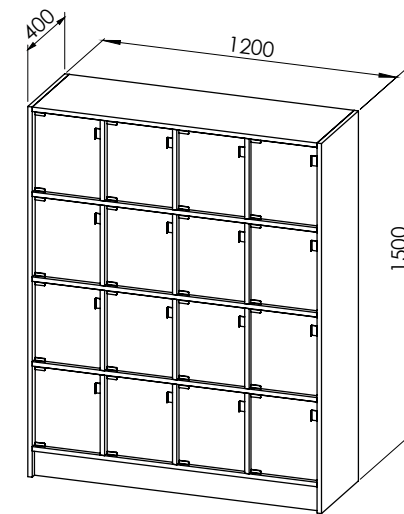


CLEAR HINGED DOOR / 16 MAGAZINE DISPLAY

16125

Cabinetry is made from 18mm thick laminate of your choice, teamed with 5mm thick acrylic doors that display current editions.

Back editions stored in pigeon hole.



NONFICTION ACRYLIC BOOK END

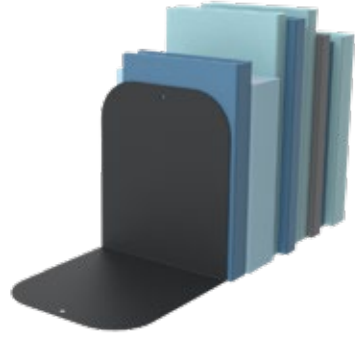
31018

Dimension (245H x 180W x Base 75mm)
Designed to offer additional support for larger and heavier books.



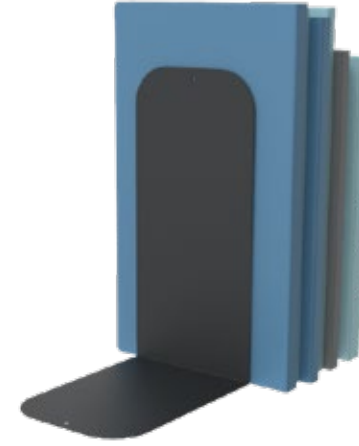
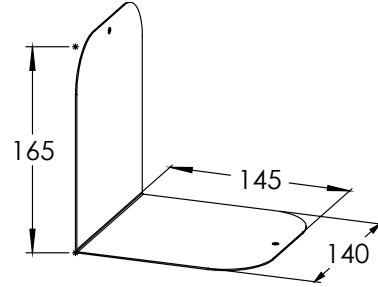


STEEL BOOKENDS - SMALL



521
Heavy gauge steel for added support.
Select powder coat colours on page 127.

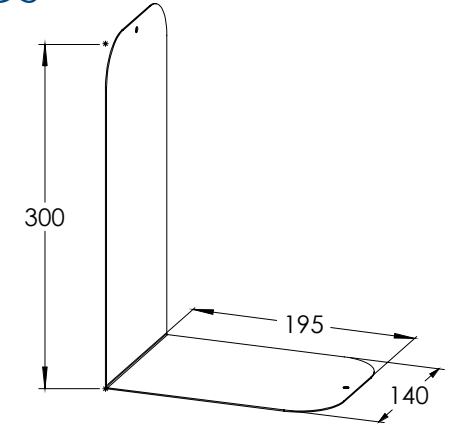
10_{PK}



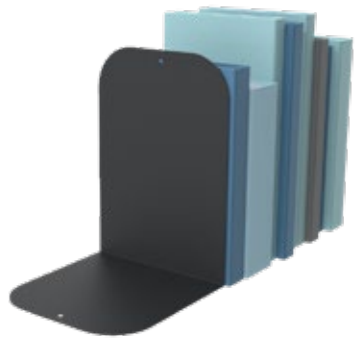
BIG BOOK STEEL BOOKENDS

525
Heavy gauge steel for added support.
Select powder coat colours on page 127.

EACH

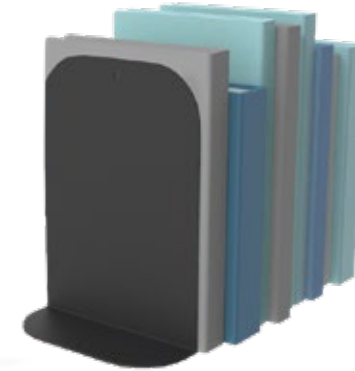
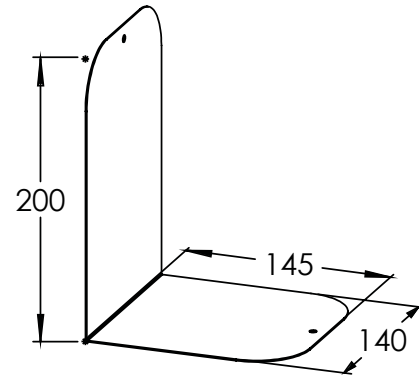


STEEL BOOKENDS - LARGE



522
Heavy gauge steel for added support.
Select powder coat colours on page 127.

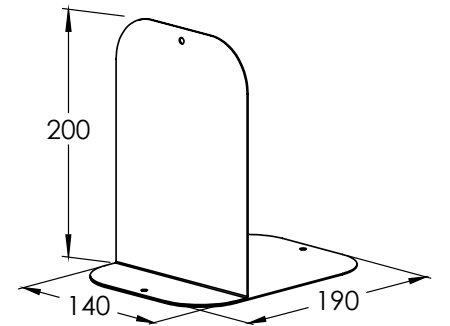
10_{PK}



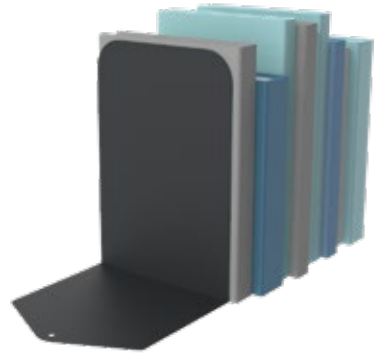
T-SHAPED BOOKENDS

524
Double-sided/T-shaped base featuring a 50mm LHS foot for additional stability.
Available in select powder coat colours: Bright Silver Metallic, Mossvale Sands, Moonlight Grey, White Birch, white, charcoal and black.

EACH

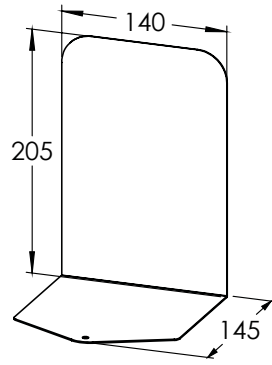


BOOKENDS | STEEL



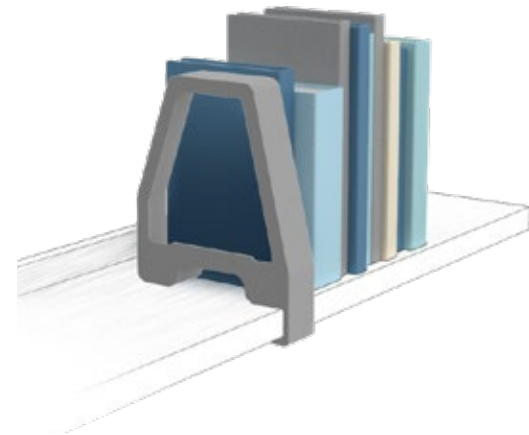
ECONOMY BOOKENDS [2 PACK]

528
Heavy gauge steel for added support.
Select powder coat colours on page 127



FELT PADS [20 PACK]

12310
Adheres to steel bookends.
Helps prevent slippage and
potential shelf scratches.

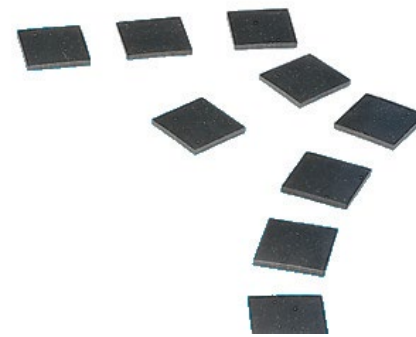
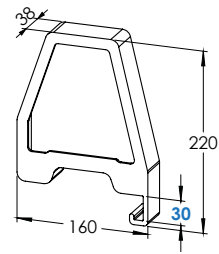
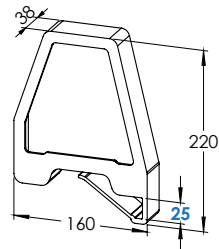


CHECKMATE BOOKENDS

25mm - Raeco shelving
15273 - BEIGE
15274 - GREY

30mm - Raeco shelving
15297 - GREY

Molded high strength thermoplastic clip on bookend.
Not suitable for use with data strips.



RUBBER STOPS [20 PACK]

12298
Adheres to steel bookends.
Helps prevent slippage and
potential shelf scratches.

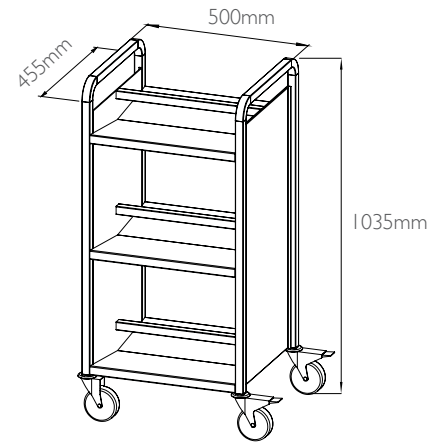


BOOK TROLLEYS



HALF PINT TROLLEY SLANTED SHELVES 11011

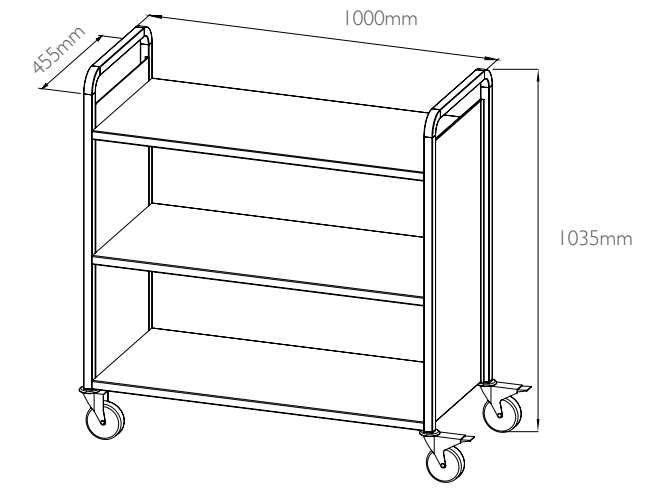
Compact, robust steel trolley with slanted shelves for easier book identification. Heavy duty wheels, 2 lockable.



STANDARD TROLLEY FLAT SHELVES 42012

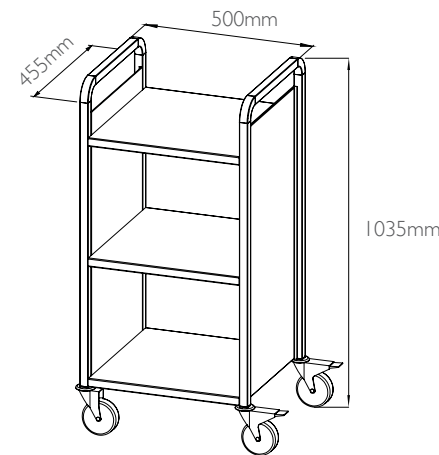
Full sized steel trolley for returns. Heavy duty wheels, 2 lockable.

*Transforms into a portable display unit. See page 60.



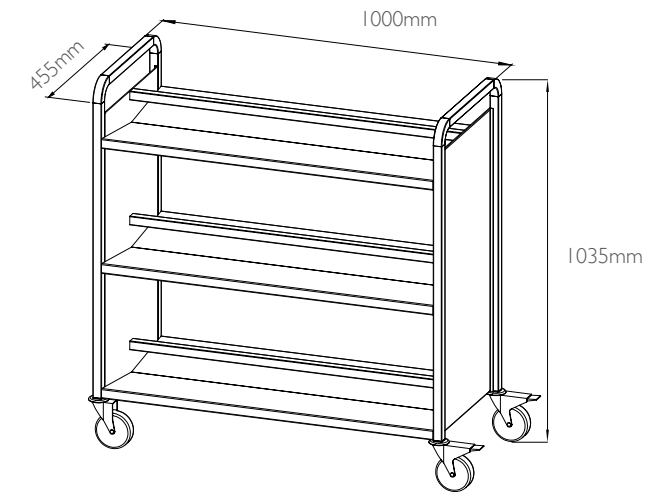
HALF PINT TROLLEY FLAT SHELVES 11012 Standard 455mm depth

Compact, robust steel trolley with flat shelves. Heavy duty wheels, 2 lockable.



STANDARD TROLLEY SLANTED SHELVES 42011

Full sized steel trolley for returns. Upsloping shelves for easier book identification. Heavy duty wheels, 2 lockable.





STANDARD TROLLEY WITH
DISPLAY TROLLEY KIT
SEE PAGE 60



CLAX FOLDING CART

Dimensions (1030H x 890W x 550Lmm)
I1062

Sturdy front swivel wheels and brakes.
Total capacity 60kg: Top 20kg / Bottom 40kg.
Folds down for storage. Comes with one basket.

Additional basket sold separately.
Dimensions (257H x 375W x 530Lmm)
I1063



Dimensions when flat: 660 H x 170 W x 470 L mm

FUNCTIONAL & PRACTICAL



FEATURES

 Raeco book chutes are DDA compliant when installed in line with instructions 



Lockable returns door secures chute outside of opening hours.



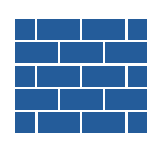
Concealed fixings create a stylish flush surface.



Secure design prevents access to returned collection.



Spill gate prevents liquids being poured into the depository.



Solid wall application only. (Up to 330mm thick)

OPTIONAL EXTRAS



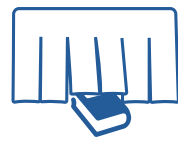
CIGARETTE CATCHER
CODE: 44015

Collects and prevents cigarettes entering the depository.



ADHESIVE BRAILLE PLATE
CODE: 44013

Conforms to DDA compliance with a 'RETURNS' marked plate.



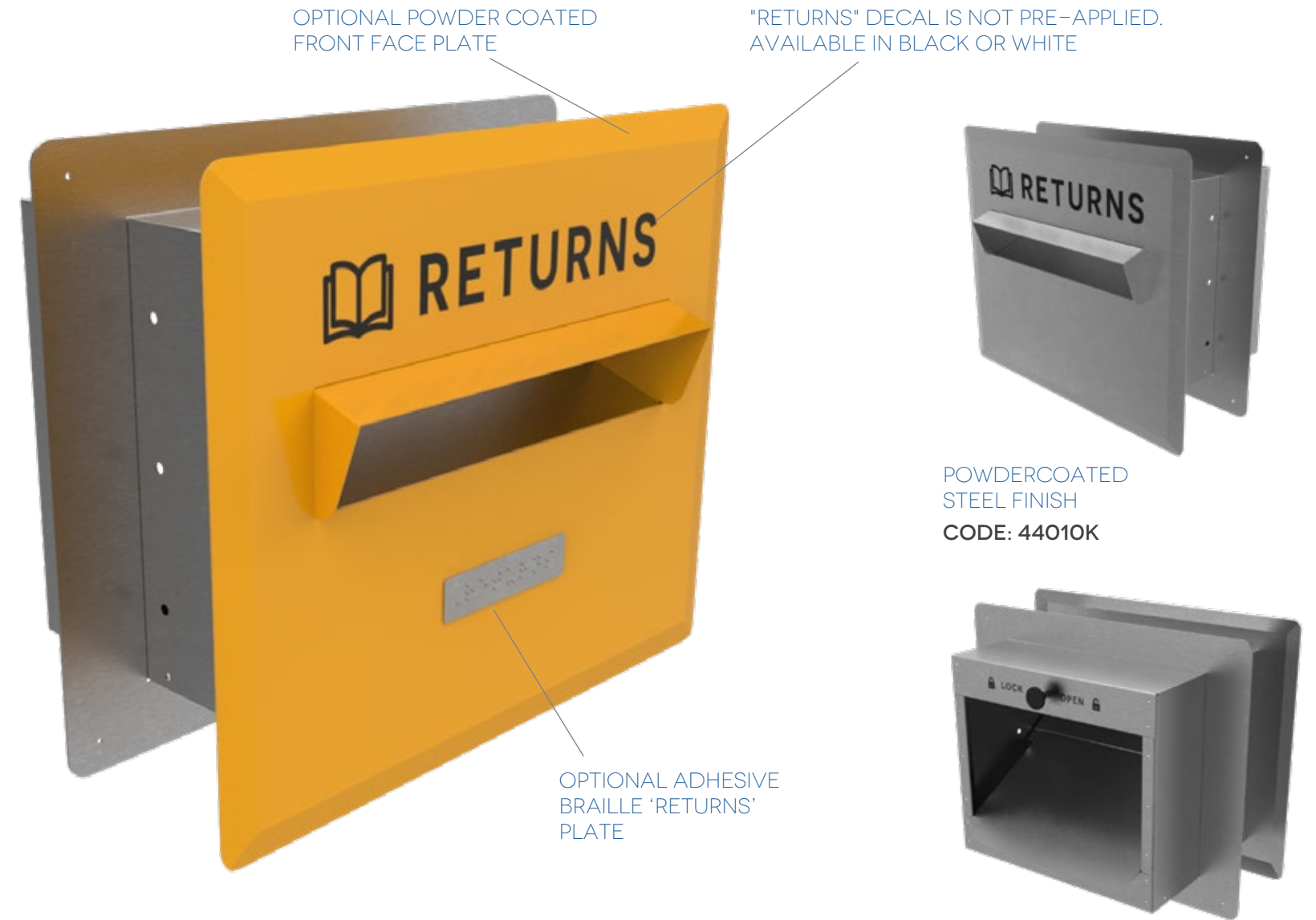
DRAFT CURTAIN
CODE: 44012

Fixed at the rear of the chute to prevent external drafts.



POWDER COATED FACE PLATE
CODE: 44011K

Add a pop of colour with a powder coated face plate.



OPTIONAL POWDER COATED FRONT FACE PLATE

"RETURNS" DECAL IS NOT PRE-APPLIED. AVAILABLE IN BLACK OR WHITE

POWDERCOATED STEEL FINISH
CODE: 44010K

OPTIONAL ADHESIVE BRAILLE 'RETURNS' PLATE

FEATURES

 Raeco book chutes are DDA compliant when installed in line with instructions 



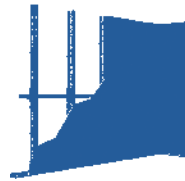
Lockable returns door to secure chute outside of operation hours.



Secure design prevents access to returned collection.



Slim low profile design requires minimal wall space.



Internal wall only. (Up to 250mm thick)

OPTIONAL EXTRAS



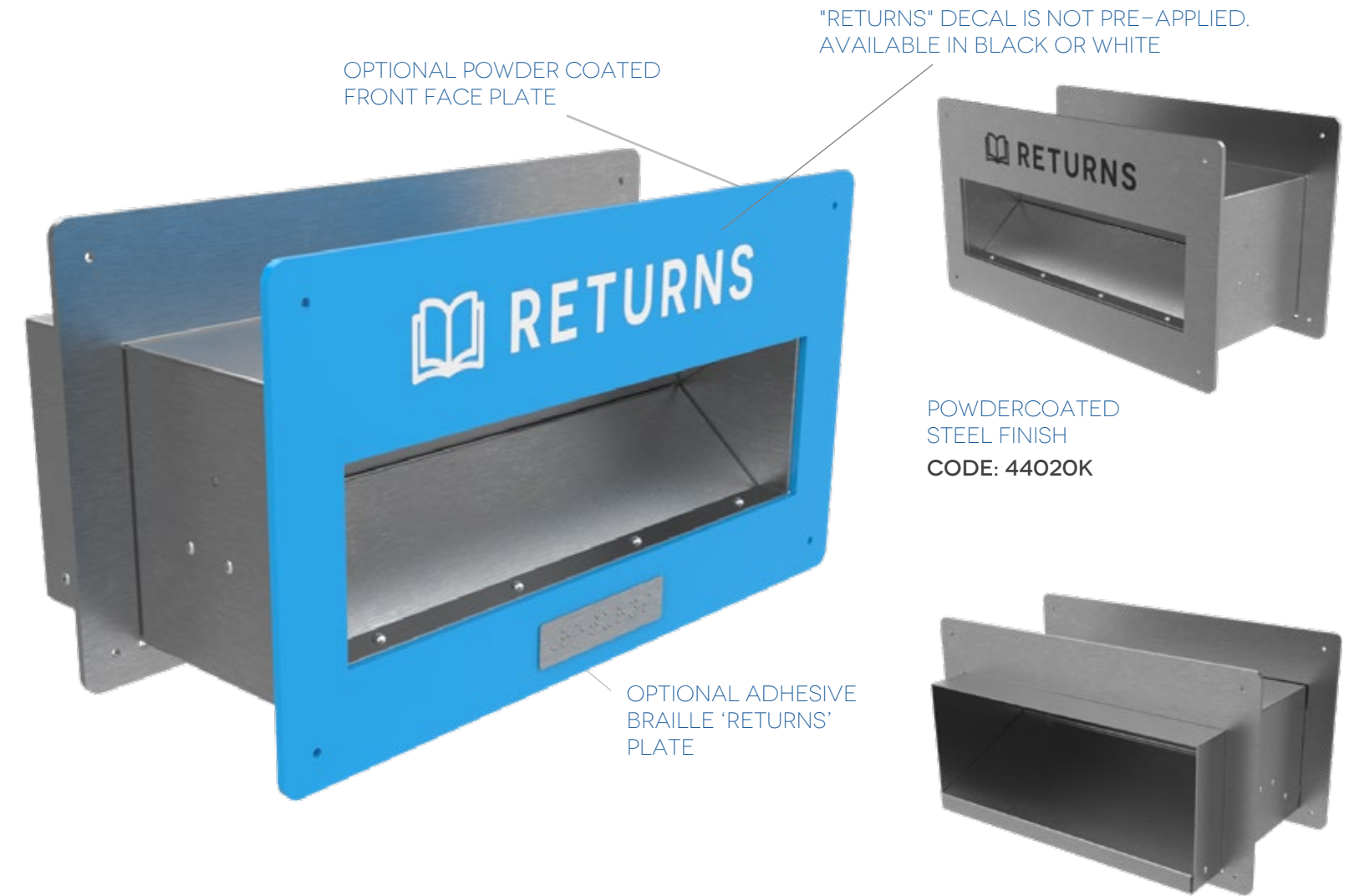
POWDER COATED FACE PLATE
CODE: 44021K

Add a pop of colour with a powder coated face plate.



ADHESIVE BRAILLE PLATE
CODE: 44013

Conforms to DDA compliance with a 'RETURNS' marked plate.





FINISHES
PAGE 129



POWDER
COATS
PAGE 127



10
YEAR
WARRANTY



MECHANISM



5
YEAR
WARRANTY

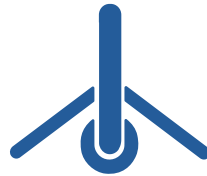


MADE IN
AUSTRALIA

FEATURES



Quality Japanese roller bearings ensure smooth elevation.



Guide rails ensure platform raises evenly, keeping books within trolley.



Lockable heavy duty German engineered wheels with anti-slip coating.

EXTRAS



TOW HANDLE
44014

Provides an elevated handle.

RETURNS

RETURNS DECAL
06328BLK / WHI

Optional returns decal in black or white, supplied unattached.



POWDER COATED HANDLE
44004

Standard handle is charcoal. Customised colours available.

SMALL RETURNS TROLLEY



WEIGHT REACTIVE
DEPRESSIBLE PLATFORM

44001

An ergonomic returns trolley. Weight reactive depressible platform ensures contents are within reach. Compatible with desks 720mmH and taller.

600 W x 702 D x 600 H

LARGE RETURNS TROLLEY



44002

An ergonomic returns trolley. Weight reactive depressible platform ensures contents are within reach.

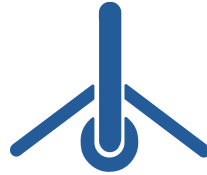
600 W x 702 D x 785 H



FEATURES



Quality Japanese roller bearings ensure smooth elevation.



Guide rails ensure platform raises evenly, keeping books within trolley.



Lockable heavy duty German engineered wheels with anti-slip coating.

EXTRAS



TOW HANDLE
44014

Provides an elevated handle.

RETURNS

RETURNS DECAL
06328BLK / WHI

Optional returns decal in black or white, supplied unattached.



POWDER COATED HANDLE
44004

Standard handle is charcoal. Customised colours available.



WEIGHT REACTIVE
DEPRESSIBLE PLATFORM

44005

A mobile standalone returns trolley, with weight reactive platform, lockable latch lid with *easy gas lift strut.
*suits generic off the shelf padlock, not included

600 W x 704 D x 900 H (with lid closed)



ALUMINIUM OPAC SHELF

428001

An all-in-one system that includes mounting brackets and a slimline shelf.



Wheel CHAIR ACCESSIBLE OPAC

428010

Complies with Disability & Discrimination act (DDA), section 23 (1995).

Purpose designed sliding keyboard tray enables users to comfortably sit and type. Includes lockable storage for hardware and angled base for improved accessibility.

Must be securely fixed to bay end panel.



OPAC CABINET

428000

Featuring a wrap around door fabricated from charcoal fiber board and Laminate countertop for keyboard and mouse.

Must be securely fixed to bay end panel.

Finishes this page: Laminex Rock Maple and Autex Pinnacle.



DISPLAY BOARDS | STANDALONE



COMMUNICATE ROOM DIVIDER

Dimensions (1800H x 900Wmm)
402231

Mobile room divider, featuring charcoal polyester fabric pin board on one side with whiteboard on reverse. Sturdy aluminium frame. Includes large lockable 90mm wheels. 3 year warranty.



DISPLAY BOARDS | WALL MOUNTED



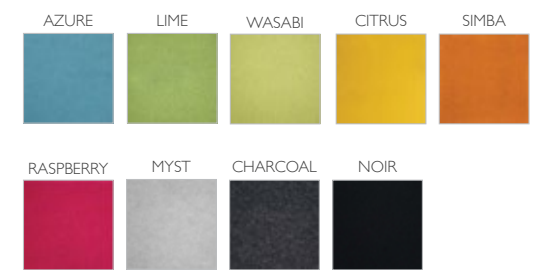
VELOUR PINBOARD TILES

Frameless velour pinboard tiles feature 12mm thick bioboard backing.

Available in a variety of sizes and colours. Can also be used as decorative wall finish.



CODE	SIZE (mm)
402223	900 x 900
402324	1200 x 900
402225	1200 x 1200



MODULO MOBILE PINBOARD DIVIDER

Dimensions (1895H x 1085Wmm)
402234

Mobile divider (double sided), available in velcro compatible polyester fabric with a sturdy aluminium frame. 3 year warranty.



WRITABLE MAGNETIC GLASS BOARD

Eco friendly ultra clear glass boards are made from 4.5mm magnetic safety glazed glass. Rewritable surface. Includes a clear acrylic pen tray, 5 super strong magnets and required wall mounting fittings. Available in black or white. Includes 25 year warranty.

Conforms to AS/NZS 2208:1996

WHITE

CODE	SIZE (mm)
402213	1200 x 900
402217	1800 x 1200





SIGNAGE

Merchandising Libraries are recognised globally as a supplier of high quality, affordable signage solutions that are tailored to the needs of libraries. The team at Raeco are excited to present a cross-section of their most popular products.



DIRECTIONAL LANDSCAPE SIGNS

Directional Landscape Signs are manufactured from matt black acrylic with 3D raised white letters to create a premium finish. Sold individually, they can be used alone to create a single sided sign or back-to-back to create a double sided solution. Sets of brushed metal or black display feet that accommodate both the single and double sided solutions are sold separately. These have built-in magnets for securing them to metal shelving. In addition, a set of adhesive tabs are supplied free for those who need to secure the feet to a timber or laminate surface.

Simply choose the signs you require, whether you wish to use them alone or back to back, then slide the signage plate/s into the slot on the feet and secure them with an Allen key (key supplied). This results in a fully interchangeable signage solution that can be changed with ease.



BUILD YOUR SIGN

SINGLE SIDED
1 signage plate

OR

DOUBLE SIDED
2 signage plates

+

SET OF TWO DISPLAY FEET
Set of magnetic feet with optional adhesive pads
32971S - Silver
32971B - Black

AVAILABLE SIGNS:

FICTION:

32970A&A Action & Adventure	32970CLA Classics	32970CRI Crime
32970COO Cookery	32970DYS Dystopia	32970FAN Fantasy
32970FIC Fiction	32970GFI General Fiction	32970GNO Graphic Novels
32970HFI Historical Fiction	32970HOL Holds	32970HOR Horror
32970JFI Junior Fiction	32970LPR Large Print	32970MAG Magazines
32970MYS Mysteries	32970PBK Picture Books	32970ROM Romance
32970SFI Science Fiction	32970SER Series	32970SUS Suspense
32970WES Westerns	32970YOA Young Adult Fiction	

NONFICTION:

32970ACV Ancient Civilisations	32970ANL Animals	32970A&D Art & Design	32970AUS Australia
32970BIO Biography	32970CHE Chemistry	32970COO Cookery	32970DVD DVD
32970G&P Gardening & Plants	32970GEO Geography	32970HOL Holds	32970HIS History
32970IDG Indigenous	32970JNF Junior Nonfiction	32970J&R Jokes & Riddles	32970MAG Magazines
32970MYT Mythology	32970NBK New Books	32970NFI Nonfiction	32970OPL Our Planet
32970POE Poetry	32970PSY Psychology	32970QPK Quick Picks	32970REF Reference
32970REL Relationships	32970RGN Religion	32970SCI Science	32970SPT Sport
32970TEC Technology	32970TAR The Arts	32970TRA Travel	32970WAR War
32970WBG Well Being			



SECTION DIVIDERS

Merchandising Libraries range of best selling shelf-based Section Dividers are only 2.5 millimetres thick, so they allow you to maximise shelf space for books. They are however extremely robust and feature text printed directly to the material. This range also boasts impressive environmental features:



100% RECYCLABLE



Manufactured from ECORANGE, the worlds first 100% carbon neutral polypropylene
100% Recyclable - 100% Carbon Neutral - Non Toxic - Australian Made

Navigate the collection with ease whilst improving overall image. Self-supporting, the base of these L-shaped Section Dividers sits under books, allowing each to be easily moved as your collection changes.

- Made from robust 2.5mm, environmentally friendly polypropylene
- Text printed both sides



SECTION DIVIDERS - NONFICTION STARTER SET
32955



SECTION DIVIDERS - JUNIOR NONFICTION STARTER SET
32956

Includes 300 free spine label stickers that correspond with the 15 graphics.



32957

Includes 300 free spine label stickers that correspond with the 15 graphics.



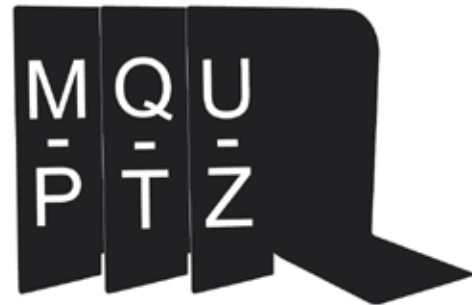
SECTION DIVIDERS - DEWEY STARTER SET
32958



SECTION DIVIDERS - CONDENSED FICTION ALPHABET

Avoid excessive signage in small collections using Condensed Alphabet Section Dividers. Ideal for genre based Fiction.

- Standard set includes 6 dividers: A-D, E-H, I-L, M-P, Q-T and U-Z
- Upper-case letter printed on both sides



Sets available in two sizes:

STANDARD
32951 - 245mm tall

MINI
32950 - 150mm tall



Fiction Section Divider Set (A-Z)

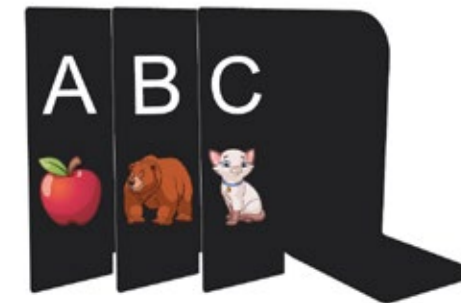
SECTION DIVIDERS - FICTION A-Z SET

- Upper-case letter printed on both sides
- Individual letters on separate signs with the exception of X,Y,Z which are combined on a single sign

Available in three styles:

STANDARD
32953 - 245mm tall

MINI
32952 - 150mm tall



Junior Section Divider Set (A-Z)

JUNIOR

32954 - 245mm tall

Designed to help young children navigate the collection, each Section Divider features a letter with full colour graphics printed both sides.



FRONT FACING COLLECTION DIVIDERS

Designed as an alternative to Merchandising Libraries popular Section Dividers, Front Facing Collection Dividers sit flush with shelves. Manufactured from highly durable satin black polypropylene with direct printed white text and magnetic strip on base. Available in three styles.

Dimensions

- Height: 215mm
- Width: 40mm
- Depth: 150mm



100% RECYCLABLE



FRONT FACING COLLECTION DIVIDER SET – FICTION (A-Z) 32959

- Uppercase letter printed on the front of the sign
- Individual letters on separate signs with the exception of X,Y,Z which are combined on a single sign



FRONT FACING COLLECTION DIVIDERS – NONFICTION STARTER SET 32960

Manufactured from highly durable satin black polypropylene with direct printed white text, a Nonfiction starter set includes 15 x common topics.

- Animals
- Art & Craft
- Biographies
- Crime
- Food
- History
- Human Body
- Literature
- Math
- Music
- Poetry
- Religion
- Science
- Sport
- War



FRONT FACING COLLECTION DIVIDERS – DEWEY STARTER SET 32961

Manufactured from highly durable satin black polypropylene with direct printed white text, a Dewey starter set includes 10 x dividers:

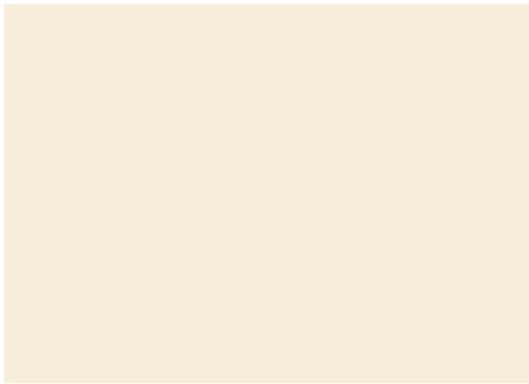
- 000-099 Computer Science, Information & General Works
- 100-199 Philosophy & Psychology
- 200-299 Religion
- 300-399 Social Sciences
- 400-499 Languages
- 500-599 Science
- 600-699 Technology
- 700-799 Arts & Recreation
- 800-899 Literature
- 900-999 History & Geography



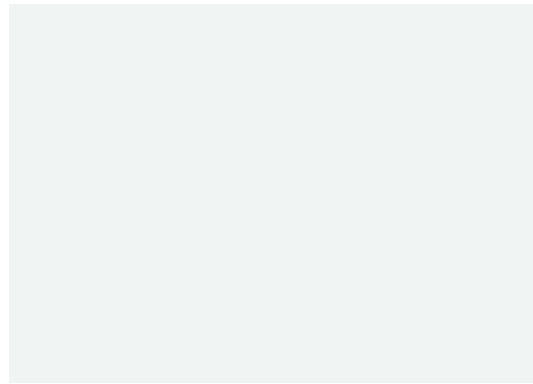


FINISHES

For ease of selection, we've reduced the number of powder coat and laminate finishes featured in our catalogue. This allows us to present generous sized swatches of popular colours. If these do not meet your needs, our staff have access to an extensive range of alternatives.



WHITE BIRCH (GLOSS)
WB



PEARL WHITE (GLOSS)
WH



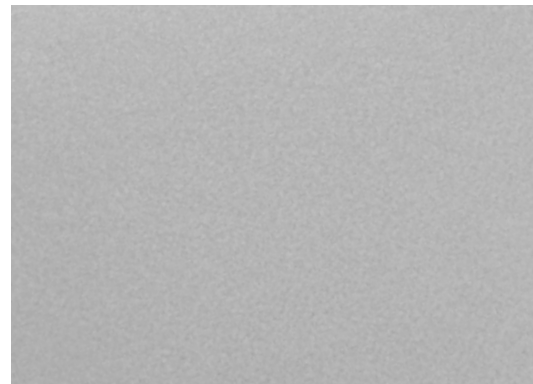
MOONLIGHT GREY (APO GREY)
MG



CHARCOAL
CH



SATIN BLACK
BL



INTERPON SILVER (SATIN)
IS

POPULAR POWDER COATS

- Powder coated at 0.70 microns for durability
- Due to printing variations, please use these colours as a guide only
- Other colours are available on our [website](#)



Expressions shelves powder coated in Silver Grey MLI 94A (Satin)



SUBLIME TEAK
STK



CLASSIC OAK
CLO



ROCK MAPLE
RMP



NATURAL WALNUT
NWN



CURLY BIRCH
CUR



SELECT BEECH
SBE

Laminex® polytec

TIMBER LOOK

- Laminex applied to E0 rated MDF
- Due to printing variations, please use these colours as a guide only
- Standard thickness - 18mm, 25mm & 33mm



MILKWOOD
MKW



OYSTER LINEA
OYL



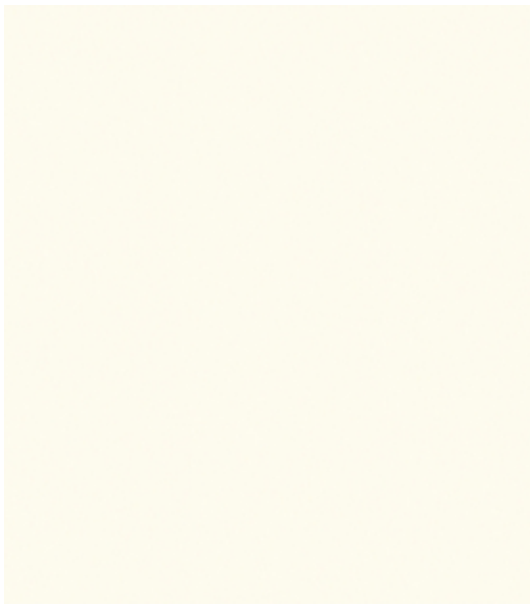
NATURAL OAK
PNO



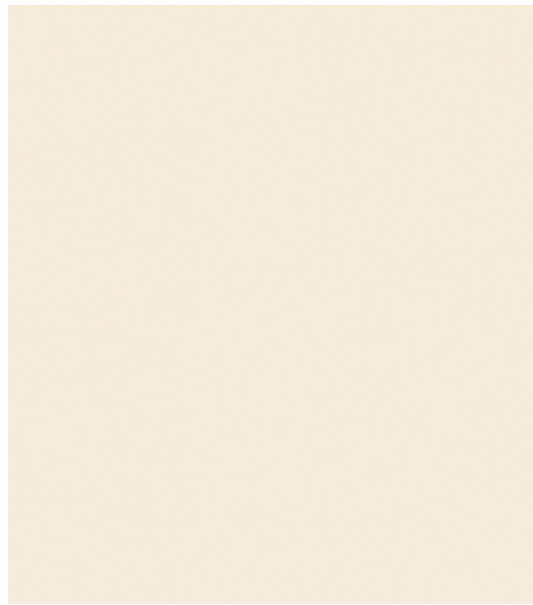
SEASONED OAK
SOK



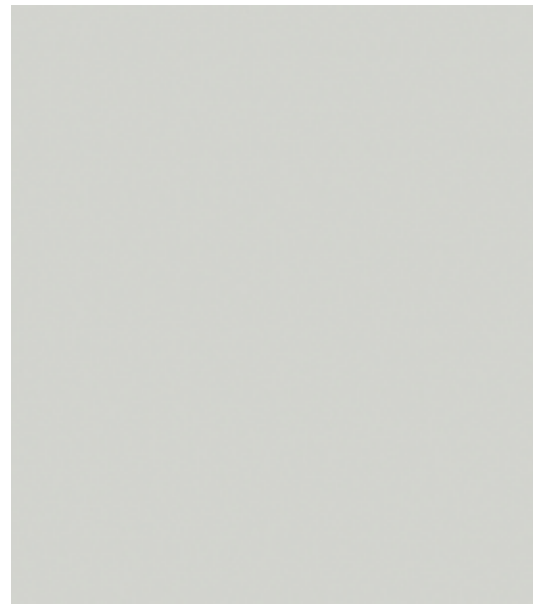
ALASKAN
ALK



PARCHMENT
PAR



MOLE SKIN
MSK



OYSTER GREY
OYG



ZINCWORKS
ZWK



FOX TEAKWOOD
FTW

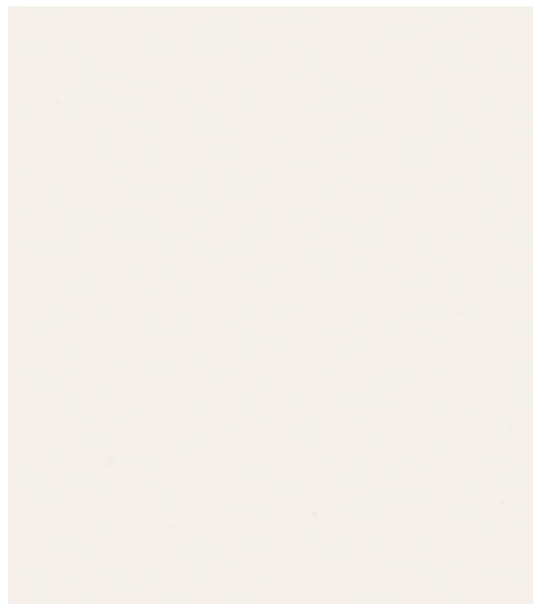


GREY STONE
GST

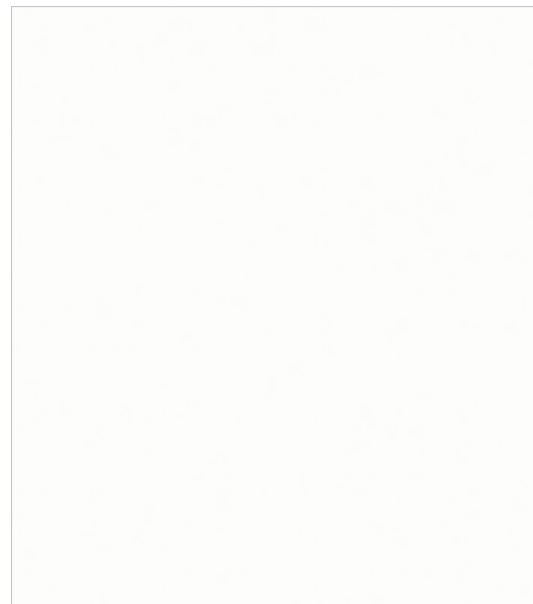
Laminex®

NEUTRALS

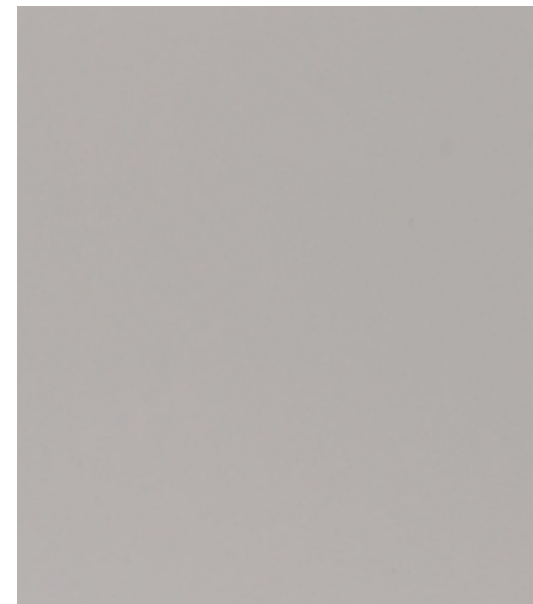
- Laminex applied to E0 rated MDF
- Due to printing variations, please use these colours as a guide only
- Standard thickness - 18mm, 25mm & 33mm



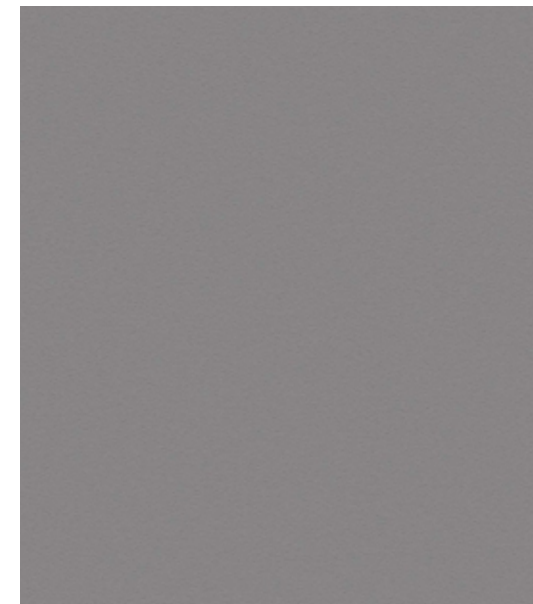
GHOSTGUM
GHG



WHITE 200
WHI



FOX
FOX



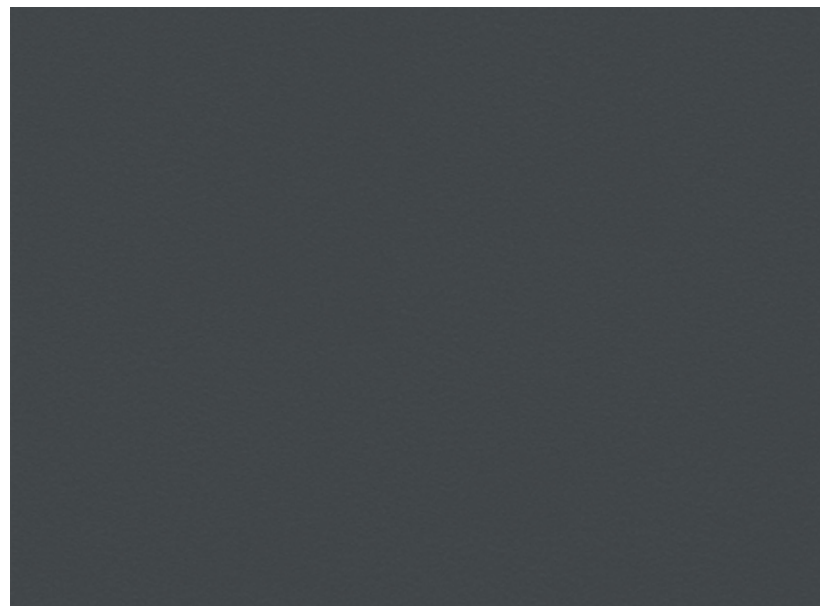
LAVA GREY
LGR



NEW GRAPHITE
NGR



BLACK
BLK



CHARCOAL
CHC



GOLDEN WATTLE
GDW



COASTAL SUNRISE
COS



OLIVINE
OLV



PILLARBOX RED
PIB



PORTSEA
POR

Laminex®

SOLID COLOURS

- Laminex applied to E0 rated MDF
- Due to printing variations, please use these colours as a guide only
- Standard thickness - 18mm, 25mm & 33mm



PLY BIRCH
PLY

SUBLIME TEAK
STK

CLASSIC OAK
CLO

NATURAL WALNUT
NWN

ZINCWORKS
ZWK

NEW GRAPHITE
NGR

LAVA GREY
LGR

BLACK
BLK

PILLARBOX RED
PIB

PORTSEA
POR

ABS EDGING

ABS edging is available in every laminate colour - this page showcases our most popular colours

- Match your edging to your table top or add visual interest with contrasting colours
- Due to printing variations, please use these colours as a guide only
- Available in 18mm, 25mm & 33mm thickness

Laminex®

PRODUCT INDEX

SHELVING

DESIGNER SERIES

CACAO	13
FICTION IMPULSE STANDS	17
MOROCCO	5
NEW BOOK STANDS	19
ORGANIC	11
POP ART	7
VINTAGE	9

SHELVING

EXPRESSIONS

AV SHELF	52
BOTTOM SHELF OVERLAY	51
BROWSER TUB	52
CURVED DISPLAY SHELF	53
CURVED EXPRESSIONS	53
CURVED FLAT SHELF	53
BAY ENDS	48
CONFIGURATIONS OPTIONS	45
MAGAZINE DIVIDER SHELF	51
REVERSIBLE METAL SHELF	50
REVERSIBLE LAMINATE SHELF	50
SLIMLINE EXPRESSIONS	54
TOP OPTIONS	48

SHELVING

LINEA

BAY END PANEL STYLES	30
BROWSER TUBS	36
CONFIGURATIONS	23
DISPLAY SHELVES	34
DUST COVERS	40
FLAT SHELF BRACKETS	39
FLAT SHELVES	33
AV SHELVES	37
FLOATING LINEA	28
HANG RAIL	37
MAGAZINE DIVIDER SHELVES	38
MOBILE SPECIFICATIONS	26
PICTURE BOOK TUB BRACKETS	35
REVERSIBLE SHELF	32
SLIDE OUT REFERENCE SHELF	39
STATIC SPECIFICATIONS	25
UPSLOPING FLAT SHELF BRACKETS	39
WEDGES & BOXES	42

CHILDREN

4 TIER SPINNER	73
BIG BOOK STORAGE	73
BOARD & PICTURE BOOK DISPLAYS	65
HERO BOOK DISPLAY DISCS	74
BIRDS	69
CLOUDS	71
PICTURE BOOK DISPLAYS	64
SIT & SELECT	66
WORLD MAPS	67

DISPLAY, SIGNAGE & ACCESSORIES

ACRYLIC BOOK EASEL – BUDGET	87
ACRYLIC BOOK HOLDER	80
ACRYLIC BOX	88
ACRYLIC BROCHURE HOLDER – A4	87
ACRYLIC BROCHURE HOLDER – DL	87
ACRYLIC SELF INSTALL SHELF	81
ACRYLIC SIGN HOLDERS	89
ACRYLIC TROUGH DISPLAYS	88
BOOK TROLLEYS	99
BOOKENDS – ACRYLIC	94
BOOKENDS – ECONOMY	97
BOOKENDS – FELT PADS	98
BOOKENDS – RUBBER STOPS	98
BOOKENDS – STEEL	95
BROWSER TUB DIVIDER	35
BROWSER TUB STICKER SET	35
CHECKMATE BOOKENDS	97
DIRECTIONAL LANDSCAPE SIGNS	119
DISPLAY BOARDS – STANDALONE	115
DISPLAY BOARDS – WALL MOUNTED	116
DISPLAY TROLLEY KIT	60
LOCKABLE DISPLAY	59
MAGAZINE DISPLAYS	91
PERSONAL ACCESS COMPUTER CABINETS	113
RETURN CHUTES	105
SELF INSTALL SHELF – ACRYLIC	81
SERIES / DVD ACRYLIC HOLDER	84
SIGN HOLDERS – ACRYLIC	89
SIGNAGE – COLLECTION DIVIDERS	119

SIGNAGE – DIRECTIONAL	119
SIGNAGE – SECTION DIVIDERS	121
SOLID COLOURS	135
SPINNERS	90
TROLLEY – CLAX	102
TROLLEY – CUSTOMER	101
TROLLEY – STEEL	99
TROLLEYS – RETURNS	110
TROUGH DISPLAYS – ACRYLIC	88
VELOUR PINBOARD TILES	116
WRITABLE MAGNETIC GLASS BOARD	116

FINISHES

ABS EDGING	137
LAMINEX – NEUTRALS	133
POPULAR POWDER COATS	129
SOLID COLOURS	135
LAMINEX – TIMBER LOOK	131



- 10 YEAR FURNITURE WARRANTY DOES NOT INCLUDE WEAR AND TEAR OR FABRIC
- SPECIFICATIONS SUBJECT TO CHANGE WITHOUT NOTICE
- SOME POWDER COATS MAY INCLUDE A PAINT SURCHARGE



CEI PTY Limited Trading as Raeco®
ABN 72 006 501 926

75 Rushdale Street
Knoxfield VIC 3180
1300 727 231
support@raeco.com.au
www.raeco.com.au